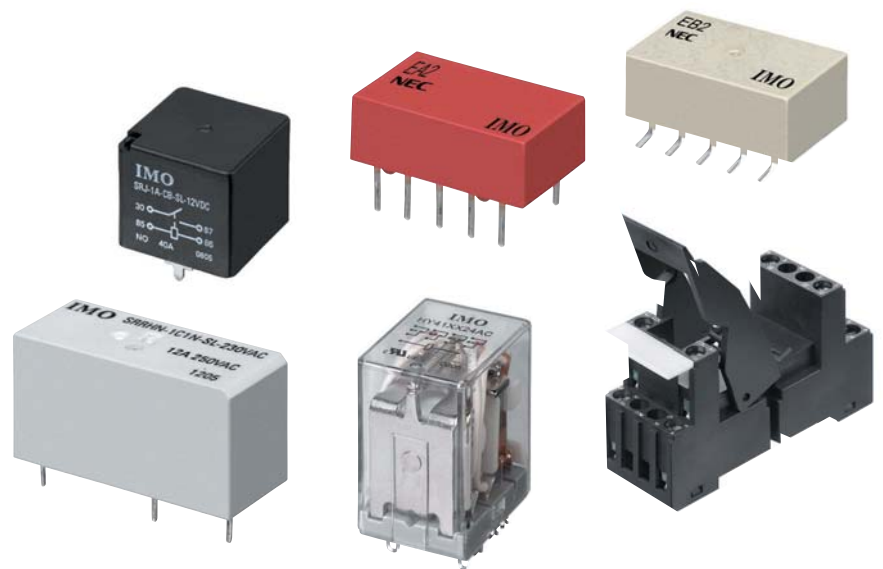


-  Relays
-  Relais
-  Relè
-  Реле



A solution for every **application**



IMO has been manufacturing innovative control components since 1970. The continuous expansion of the company's manufacturing resources and the development of strategic alliances with manufacturing centres of excellence have produced one of the finest ranges of automation and control products available today. The first company in Europe to do so, IMO gives a no-quibble Three Year Warranty on the majority of its electronics based control components and a Five Year Warranty on the full range of Jaguar Drives.



Depuis 1970, IMO a développé des solutions innovantes pour le contrôle de process et de production. L'accroissement continu de ses ressources de fabrication, allié à un développement d'alliances stratégiques avec des centres de fabrication de haute qualité a permis à la société IMO de disposer de produits d'automatisme et de contrôle parmi les meilleurs actuellement. Première société en Europe à le proposer, IMO offre une garantie sans discuter de Trois ans sur la majorité de ses produits d'automatisme et de contrôle équipés d'électronique et de Cinq ans sur l'ensemble de sa gamme de variateurs de vitesse Jaguar.

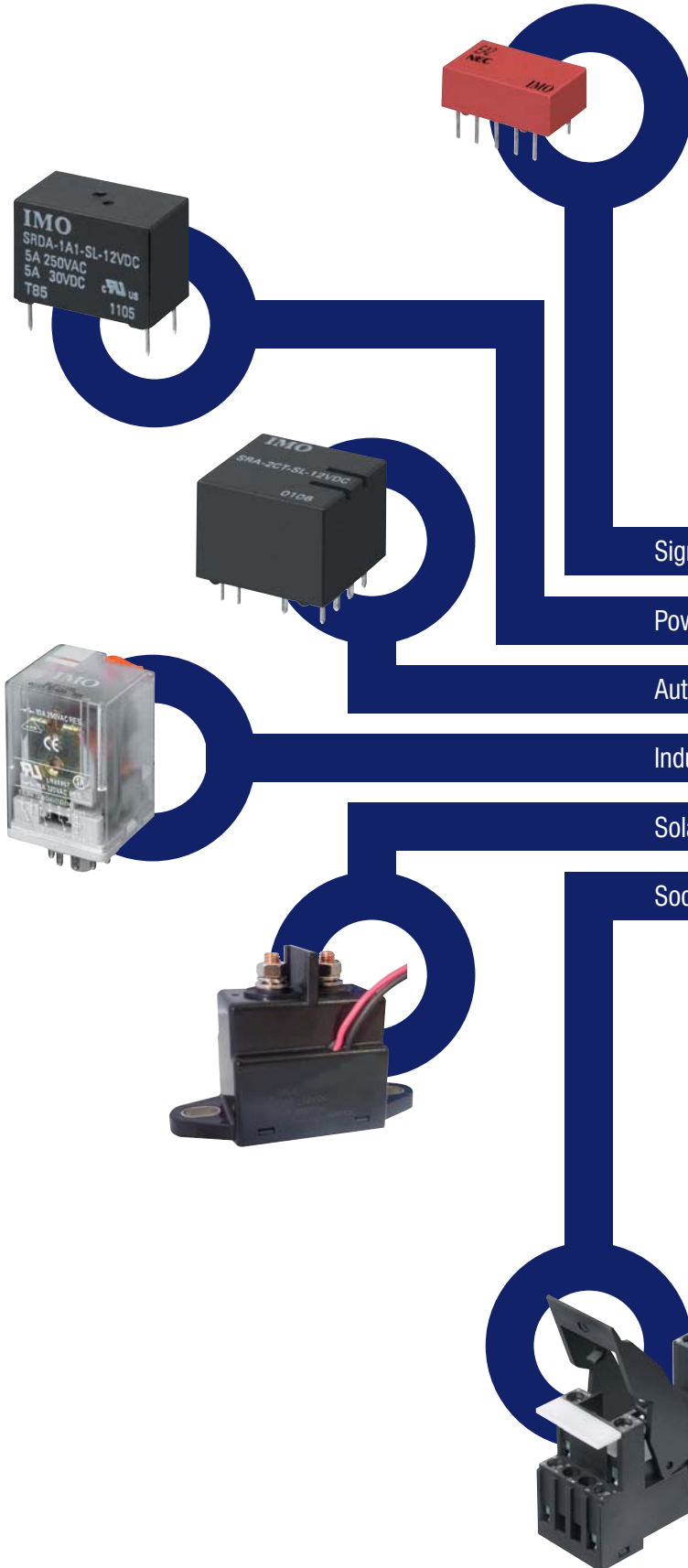


IMO produce dispositivi di controllo innovativi sin dal 1970. La continua espansione produttiva della società e delle sue risorse e lo sviluppo d'alleanze strategiche con centri di produzione d'eccellenza, hanno creato una delle migliori gamme di prodotti per l'automazione e controllo oggi disponibile. La prima azienda in Europa a farlo, IMO offre una garanzia di tre anni senza condizioni sulla maggior parte dei suoi componenti di controllo elettronico ed una garanzia di cinque anni su tutta la gamma d'Inverter IMO Jaguar.



Компания IMO с 1970 года производит инновационные компоненты для электроэнергетики и автоматизации. Непрерывное расширение производственных ресурсов и формирование стратегических альянсов совместно с производственными центрами, позволило сконцентрироваться на передовых технологиях, которые переросли в одно из лучших технических решений для энергетики и автоматизации. IMO - это первая компания в Европе, которая бесспорно дает 3 года гарантии на большинство электронных и электротехнических компонентов. На всю линейку частотных преобразователей Jaguar гарантия 5 лет.





Signal Relays 5

Power Relays 12

Automotive Relays 34

Industrial Power Relays 39

Solar Relays 43

Sockets 47

# Glossary of technical terms

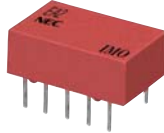


Ambient Temperature	Température ambiante	Temperature ambiente	Температура окружающей среды
Between Coil and Contacts	Entre bobines et contacts	Rigidità dielettrica tra bobina e contatti	Изоляция между катушкой и контактной группой
Between Contact Sets	Entre les contacts	Rigidità dielettrica tra ie contatti chiusi	Напряжение между контактами
Between Open Contacts	Entre contact ouvert	Rigidità dielettrica tra i e contatti aperti	Напряжение между разомкнутыми контактами
Bounce Time	Durée des rebonds	Tempo di rimbalzo	Время дребезга (контактов)
Coil Current	Courant bobine	Amperaggio di bobina	Номинальный ток потребления катушки
Coil Power	Puissance bobine	Assorbimento bobina	Мощность катушки
Coil Resistance	Résistance bobine	Resistenza della bobina	Сопротивление катушки
Coil Temperature Rise	Température bobine	Rampa di incremento temperature di bobina	Температурный предел катушки
Construction	Fabrication	Tecnologia di assemblaggio	Конструкция
Contact Arrangement	Position des contacts	Configurazione contatti / Posizione contatti	Расположение клемм
Contact Material	Matériaux des contacts	Materiale dei contatti	Материал контактов
Contact Rating (Resistive Load)	Estimation de contact (charge résistive)	Resistività di contatto	Резистивная нагрузка
Destructive	Destructif	Resistenza meccanica agli urti	Ударопрочность
Dielectric Strength	Rigidité diélectrique	Rigidità dielettrica	Диэлектрическая прочность
Dimensions	Tailles	Dimensioni	Размеры
Double Coil	Bobine double	Doppia bobina	Двойная катушка
Drop-Out Voltage	Tension de renvoi	Caduta di Tensione	Падение напряжения
Electrical Life	Durée de vie électrique	Durata elettrica	Срок эксплуатации
Functional	Fonctionnel	Funzionalità	Функциональность
High-Sensitivity	Haute sensibilité	Alta sensibilità	Максимальная чувствительность
Hold Down Springs	Maintient du ressort	Blocco molla	Пружинный зажим
Humidity	Humidité	Umidità	Влажность
Initial Contact Resistance (Max)	Résistance maximum des contacts	Resistenza iniziale di contatto (massima)	Сопротивление Контакта (Макс.)
Initial Insulation Resistance	Résistance d'isolation initiale	Resistenza iniziale di isolamento resistivo	Начальное сопротивление изоляции
Insulation Resistance	Résistance d'isolation	Resistenza d'isolamento	Сопротивление изоляции
Insulation Voltage	Tension d'isolation	Tensione d'isolamento	Напряжение изоляции
Latching	Verrouillage	Aggancio Meccanico	Блокировка
Maximum Allowable Voltage	Tension maximum autorisée	Massimo voltaggio consentito	Максимально допустимое напряжение
Maximum Operate Time	Vitesse maximum de commutation	Massima velocità di commutazione	Максимальное время срабатывания контактов
Maximum Output Current	Courant de sortie maximum	Massima corrente di uscita	Максимальный выходной ток
Maximum Release Time	Temps de relâchement maximum	Massimo tempo di rilascio	Максимальное время вкл/выкл
Maximum Switching Current	Courant de commutation maximum	Massima corrente di commutazione	Максимальный ток переключения
Maximum Switching Power	Puissance de commutation maximum	Massima potenza di commutazione	Максимальная мощность переключения
Maximum Switching Voltage	Tension de commutation maximum	Massimo voltaggio di commutazione	Максимальное напряжение
Maximum Turn-off time	Temps de descente maximum	Massimo tempo di spegnimento	Максимальное время отключения
Maximum Turn-on time	Temps de montée maximum	Massimo tempo d'accensione	Максимальное время включения
Mechanical Life	Durée de vie mécanique	Durata meccanica	Механическая долговечность
Minimum Applicable Load	Charge applicable minimum	Minimo Carico applicabile	Минимальная допустимая нагрузка
Minimum Power Factor	Rapport de puissance minimum	Minimo rapporto di potenza applicabile	Минимальный коэффициент мощности
Minimum Operate Current	Doit actionner le courant	Corrente minima di funzionamento	Рабочий ток
Minimum Operate Voltage	Doit actionner la tension	Voltaggio minimo di funzionamento	Рабочее напряжение
Minimum Release Current	Doit libérer le courant	Corrente minima di rilascio	Ток отключения
Minimum Release Voltage	Doit libérer la tension	Voltaggio minimo di rilascio	Напряжение отключения
Nominal Voltage	Tension nominale	Voltaggio nominale	Номинальное напряжение
Operate Time	Vitesse de commutation	Velocità operativa / Velocità di commutazione	Время срабатывания
Operations	Opérations	Operazioni	Операции
Output Logic	Sortie logique	Uscita logica	Логический выход
Pick-Up Voltage	Pic de tension	Voltaggio di attivazione bobina	Напряжение удержания
Pin Out	Borne de sortie	Polarità di collegamento	Полярность
Protection Degree	Degré de protection	Livelli di protezione	Степень защиты
Rated Current	Courant évalué	Corrente nominale	Расчётный ток
Rated Voltage	Tension évalué	Tensione nominale	Расчётное напряжение
Release time	Temps de relâchement	Tempo di Rilascio	Время выпуска
Reset Voltage	Tension de remise a zero	Voltaggio di reset	Сброс напряжения
Safety Approval Ratings	Estimations d'approbation de sûreté	Omologazioni	Безопасность
Screw Torque	Pression de serrage	Massima coppia di avvitamento (serraggio vite)	Момент затяжки винта
Sensitive	Sensibilità	Sensibilità	Чувствительность
Set Voltage	Tension de collage	Tensioni applicabili	Установленное напряжение
Shock Resistance	Résistance de choc	Resistenza agli urti	Ударопрочность
Single Coil	Bobine simple	Bobina singola	Одна катушка
Socket material	Matériel de l'enveloppe	Materiale dello zoccolo	Материал разъема
Standard	Standard	Standard	Стандарт
Temperature Rise	Élévation de la température	Riscaldamento	Повышение температуры
Termination	Arrêt	Connessioni	Соединение
Typical Input Current	Courant d'entrée typique	Corrente di ingresso	Входной ток
Unit Weight	Poids	Peso unitario	Удельный вес
Vibration Resistance	Vibration de la résistance	Resistenza alle vibrazioni	Вибростойчивость
Wire Strip Length	Longueur de bobinage	Profondità di morsettatura	Длина зачистки провода

## NEC EA2

### Key Features:

- Compact and light weight
- FCC (1500 V) surge capacity
- UL recognised and CSA certified
- Low power consumption (100-200 mW)



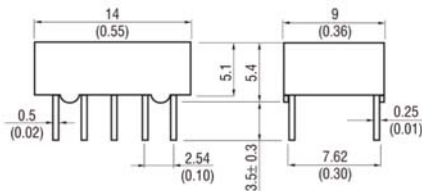
### Technical Specification

Contact Form	2C
Contact Material	Silver Alloy with Gold Overlay
Rated Load (Resistive Load)	1A 30VDC 0.5A 125VAC
Max. Switching Voltage	220VDC / 250VAC
Max. Switching Power	30W / 62.5VA
Coil Voltage	3 to 24VDC
Nominal Operating Power	100 to 200mW
Dimensions (L x W x H) mm	14.2 x 9.2 x 5.4
Cross Reference	Omron G6H Fujitsu A / FBR46 Tyco FP2

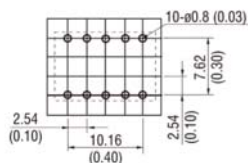
### Ordering Information

<b>EA2 - 5 S NU</b>		
Coil Voltage		
3 VDC	<b>3</b>	<b>NU</b> UL/CSA approved
4.5 VDC	<b>4.5</b>	
5 VDC	<b>5</b>	
6 VDC	<b>6</b>	
9 VDC	<b>9</b>	Non Latching
12 VDC	<b>12</b>	<b>S</b> Single Coil Latching
24VDC	<b>24</b>	<b>T</b> Double Coil Latching

### Outline dimensions (mm) Wiring diagram and PC Board layout



Note: Tolerance ±0.2 (±0.008) unless otherwise specified

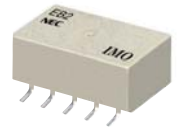


Note: Tolerance ±0.1 (±0.004) unless otherwise specified

## NEC EB2

### Key Features:

- Compact and light weight
- FCC (1500 V) surge capacity
- UL recognised and CSA certified
- Low power consumption (100-200 mW)



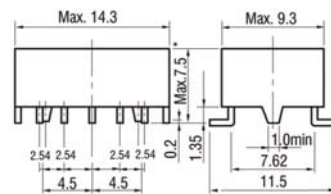
### Technical Specification

Contact Form	2C
Contact Material	Silver Alloy with Gold Overlay
Rated Load (Resistive Load)	1A 30VDC 0.5A 125VAC
Max. Switching Voltage	220VDC / 250VAC
Max. Switching Power	30W / 62.5VA
Coil Voltage	3 to 24VDC
Nominal Operating Power	100 to 200mW
Dimensions (L x W x H) mm	14.3 x 9.3 x 7.5
Cross Reference	Omron G6H Fujitsu AS

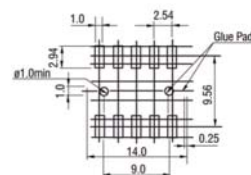
### Ordering Information

<b>EB2 - 5 S NU - E L</b>		
Coil Voltage		
3 VDC	<b>3</b>	<b>L</b> Embossed Carrying Type (L type)
4.5 VDC	<b>4.5</b>	<b>R</b> Embossed Carrying Type (R type)
5 VDC	<b>5</b>	
6 VDC	<b>6</b>	<b>E</b> Low profile type
9 VDC	<b>9</b>	
12 VDC	<b>12</b>	<b>NU</b> UL/CSA approved
24VDC	<b>24</b>	
		Non Latching
	<b>S</b>	Single Coil Latching
	<b>T</b>	Double Coil Latching

### Outline dimensions (mm) Wiring diagram and PC Board layout



Note: Tolerance ±0.2 unless otherwise specified  
\* Relay height of NuE type - 6.5mm (0.26) Max. initial

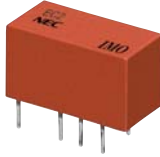


Note: Tolerance ±0.2 unless otherwise specified

## NEC EC2

### Key Features:

- Compact and light weight
- FCC (1500 V) and Telcordia (2500 V) surge capacity
- UL recognised and CSA certified
- Low power consumption (100-200 mW)



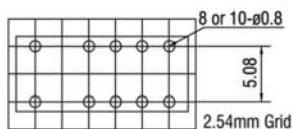
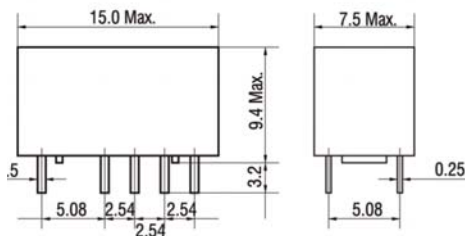
### Technical Specification

Contact Form	2C
Contact Material	Silver Alloy with Gold Overlay
Rated Load (Resistive Load)	2A 30VDC 1A 125VAC
Max. Switching Voltage	220VDC / 250VAC
Max. Switching Power	60 / 125VA
Coil Voltage	3 to 24VDC
Nominal Operating Power	100 to 200mW
Dimensions (L x W x H) mm	15.0 x 7.5 x 9.4
Cross Reference	Omron G6S / Panasonic TX Fujitsu FTR-C1 / Tyco V23079 / FX2

### Ordering Information

<b>EC2 - 5 S NU</b>	
Coil Voltage	
3 VDC	<b>3</b>
4.5 VDC	<b>4.5</b>
5 VDC	<b>5</b>
6 VDC	<b>6</b>
9 VDC	<b>9</b>
12 VDC	<b>12</b>
24VDC	<b>24</b>
	<b>NU</b> UL/CSA approved
	<b>S</b> Non Latching
	<b>T</b> Single Coil Latching
	<b>T</b> Double Coil Latching

### Outline dimensions (mm) Wiring diagram and PC Board layout

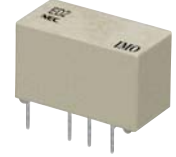


Note: Tolerance  $\pm 0.1$  unless otherwise specified

## NEC ED2

### Key Features:

- Compact and light weight
- FCC (1500 V) and Telcordia (2500 V) surge capacity
- UL recognised and CSA certified
- Low power consumption (30-70 mW)
- Basic insulation class for EN60950



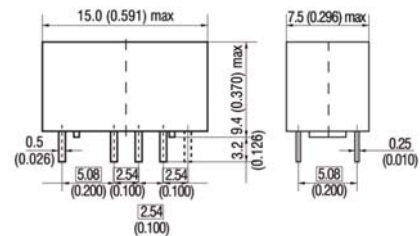
### Technical Specification

Contact Form	2C
Contact Material	Silver Alloy with Gold Overlay
Rated Load (Resistive Load)	1A 30VDC 0.3A 110VDC 0.5A 125VAC
Max. Switching Voltage	220VDC / 250VAC
Max. Switching Power	30W / 62.5VA
Coil Voltage	1.5 to 24VDC
Nominal Operating Power	50 to 70mW
Dimensions (L x W x H) mm	15.0 x 7.5 x 9.4
Cross Reference	Omron G6S Panasonic TX-S Fujitsu FTR-C1

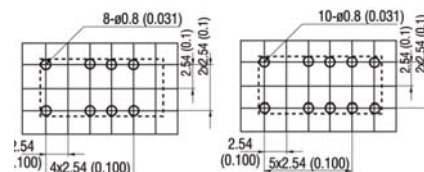
### Ordering Information

<b>ED2 - 5 S NU</b>	
Coil Voltage	
1.5 VDC	<b>1.5</b>
3 VDC	<b>3</b>
4.5 VDC	<b>4.5</b>
5 VDC	<b>5</b>
6 VDC	<b>6</b>
9 VDC	<b>9</b>
12 VDC	<b>12</b>
24VDC	<b>24</b>
	<b>NU</b> UL/CSA approved
	<b>S</b> Non Latching
	<b>T</b> Single Coil Latching
	<b>T</b> Double Coil Latching

### Outline dimensions (mm) Wiring diagram and PC Board layout



Note: General tolerance:  $\pm 0.2$  ( $\pm 0.008$ )  
Dimensions in  $\square$  show basic size. NJ type: Leads-2.8mm (0.110)



Note: General tolerance:  $\pm 0.1$  ( $\pm 0.004$ )

## NEC EE2

### Key Features:

- Compact and light weight
- FCC (1500 V) and Telcordia (2500 V) surge capacity
- UL recognised and CSA certified
- Low power consumption (100-200 mW)



### Technical Specification

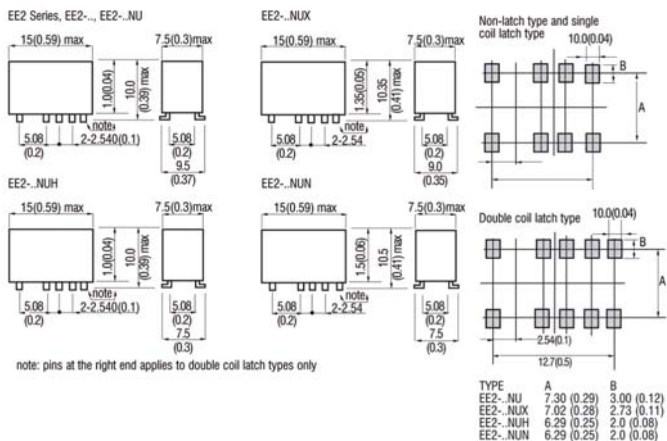
Contact Form	2C
Contact Material	Silver Alloy with Gold Overlay
Rated Load (Resistive Load)	2A 30VDC 0.3A 110VDC 0.5A 125VAC
Max. Switching Voltage	220VDC / 250VAC
Max. Switching Power	60W / 125VA
Coil Voltage	3 to 24VDC
Nominal Operating Power	100 to 200mW
Dimensions (L x W x H) mm	15.0 x 7.5 x 10.0
Cross Reference	Omron G6S / Panasonic TX Fujitsu FTR-C1 / Tyco V23079 / FX2

### Ordering Information

**EE2 - 3 S NU L**

Coil Voltage	<b>3</b>	<b>L</b> Embossed carrying type (L type)
3 VDC	<b>5</b>	<b>R</b> Embossed carrying type (R type)
5 VDC	<b>6</b>	<b>NU</b> UL/CSA approved
6 VDC	<b>9</b>	<b>NUX</b> High soldering joint reliability 40yrs
9 VDC	<b>12</b>	<b>NUH</b> Minimum footprint (7.5x15)
12 VDC	<b>24</b>	<b>NUN</b> Soldering joint/minimum footprint
24VDC		Non Latching
		<b>S</b> Single Coil Latching
		<b>T</b> Double Coil Latching

### Outline dimensions (mm) Wiring diagram and PC Board layout



## NEC EF2

### Key Features:

- Compact and light weight
- FCC (1500 V) and Telcordia (2500 V) surge capacity
- UL recognised and CSA certified
- Low power consumption (30-70 mW)
- Basic insulation class for EN60950



### Technical Specification

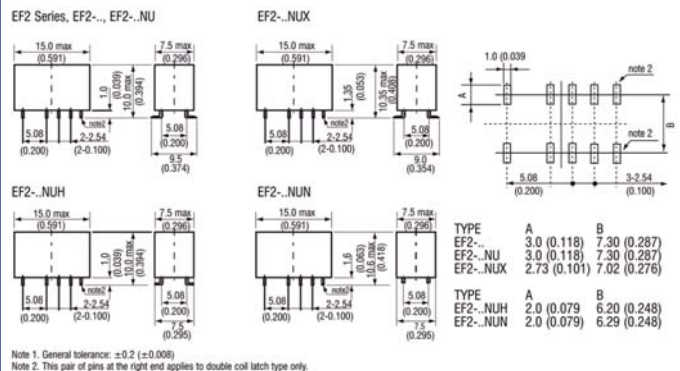
Contact Form	2C
Contact Material	Silver Alloy with Gold Overlay
Rated Load (Resistive Load)	2A 30VDC 0.3A 110VDC 0.5A 125VAC
Max. Switching Voltage	220VDC / 250VAC
Max. Switching Power	30W / 62.5VA
Coil Voltage	1.5 to 24VDC
Nominal Operating Power	50 to 70mW
Dimensions (L x W x H) mm	15.0 x 7.5 x 10.0
Cross Reference	Fujitsu FTR-C1 Panasonic TX-S

### Ordering Information

**EF2 - 3 S NU L**

Coil Voltage	<b>1.5</b>	<b>L</b> Embossed Carrying Type (L type)
1.5 VDC	<b>3</b>	<b>R</b> Embossed Carrying Type (R type)
3 VDC	<b>4.5</b>	<b>NU</b> UL/CSA approved
4.5 VDC	<b>5</b>	<b>NUX</b> High soldering joint reliability 40yrs
5 VDC	<b>6</b>	<b>NUH</b> Minimum footprint (7.5x15)
6 VDC	<b>9</b>	<b>NUN</b> Soldering joint/minimum footprint
9 VDC	<b>12</b>	Non Latching
12 VDC	<b>24</b>	<b>S</b> Single Coil Latching
24VDC		<b>T</b> Double Coil Latching

### Outline dimensions (mm) Wiring diagram and PC Board layout



## NEC UA2

### Key Features:

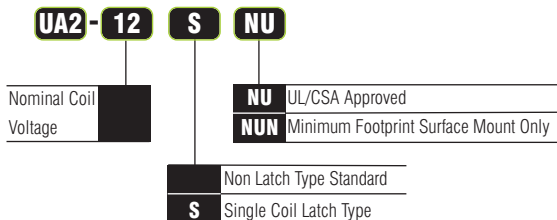
- Small mounting size of slim package for dense mounting
- FCC (1500 V) and Telcordia (2500 V) surge capacity
- IEC60950/UL1950/EN60950 spacing and high breakdown voltage. (Basic insulation class on 200 V working voltage)
- Low power consumption 140 mW



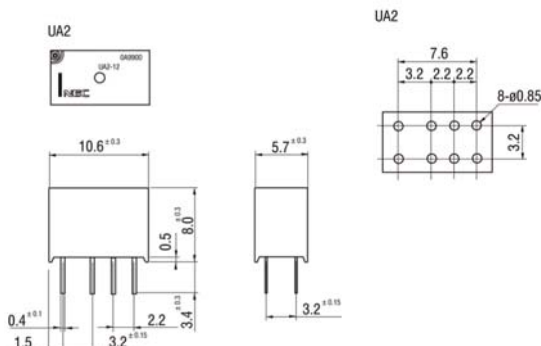
### Technical Specification

Contact Form	2C
Contact Material	Silver Alloy with Gold Overlay
Rated Load (Resistive Load)	1A 30VDC 0.3A 110VDC 0.5A 125VAC
Max. Switching Voltage	220VDC / 250VAC
Max. Switching Power	30W / 37.5VA
Coil Voltage	3 to 24VDC
Nominal Operating Power	100 to 200mW
Dimensions (L x W x H) mm	10.6 x 5.7 x 8.0
Cross Reference	Omron G6J Fujitsu FTR-B4

### Ordering Information



### Outline dimensions (mm) Wiring diagram and PC Board layout



## NEC UB2

### Key Features:

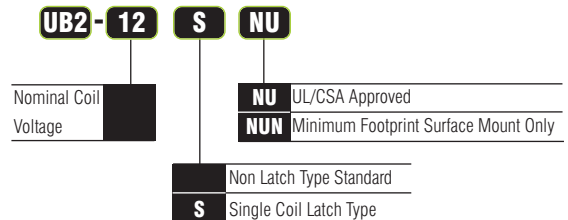
- Small mounting size of slim package for dense mounting
- FCC (1500 V) and Telcordia (2500 V) surge capacity
- IEC60950/UL1950/EN60950 spacing and high breakdown voltage. (Basic insulation class on 200 V working voltage)
- Low power consumption 140 mW



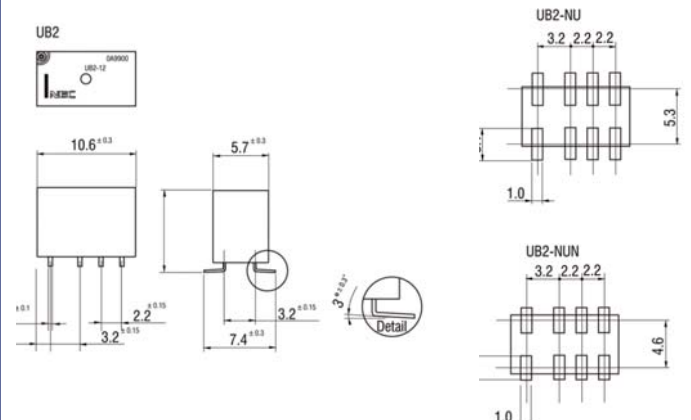
### Technical Specification

Contact Form	2C
Contact Material	Silver Alloy with Gold Overlay
Rated Load (Resistive Load)	1A 30VDC 0.3A 110VDC 0.5A 125VAC
Max. Switching Voltage	220VDC / 250VAC
Max. Switching Power	30W / 37.5VA
Coil Voltage	3 to 24VDC
Nominal Operating Power	100 to 230mW
Dimensions (L x W x H) mm	10.6 x 5.7 x 8.8
Cross Reference	Omron G6J Fujitsu FTR-B4

### Ordering Information



### Outline dimensions (mm) Wiring diagram and PC Board layout

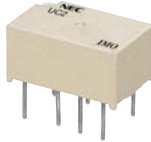




## NEC UC2

### Key Features:

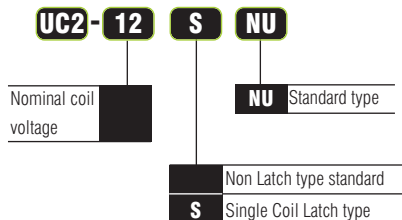
- Small mounting size of slim package for dense mounting
- FCC (1500 V) and Telcordia (2500 V) surge capacity
- IEC60950/UL1950/EN60950 spacing and high breakdown voltage. (Basic insulation class on 200 V working voltage)
- Low power consumption 140 mW



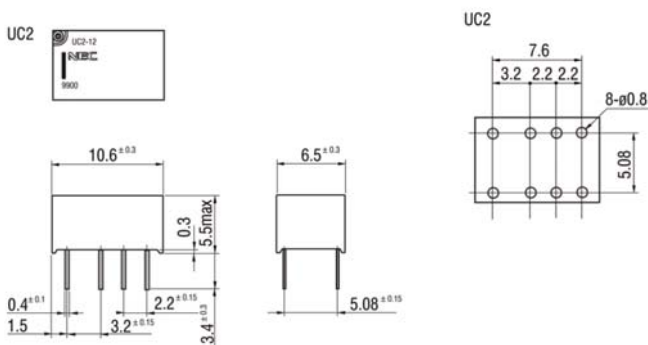
### Technical Specification

Contact Form	2C
Contact Material	Silver Alloy with Gold Overlay
Rated Load (Resistive Load)	1A 30VDC 0.3A 110VDC 0.5A 125VAC
Max. Switching Voltage	220VDC / 250VAC
Max. Switching Power	30W / 37.5VA
Coil Voltage	3 to 24VDC
Nominal Operating Power	100 to 140mW
Dimensions (L x W x H) mm	10.6 x 6.5 x 5.3
Cross Reference	Omron G6K Fujitsu FTR-B3

### Ordering Information



### Outline dimensions (mm) Wiring diagram and PC Board layout



## NEC UD2

### Key Features:

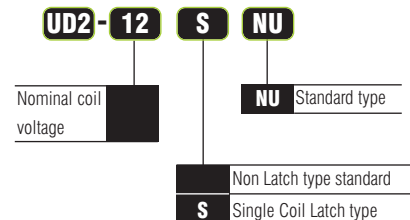
- Small mounting size of slim package for dense mounting
- FCC (1500 V) and Telcordia (2500 V) surge capacity
- IEC60950/UL1950/EN60950 spacing and high breakdown voltage. (Basic insulation class on 200 V working voltage)
- Low power consumption 140 mW



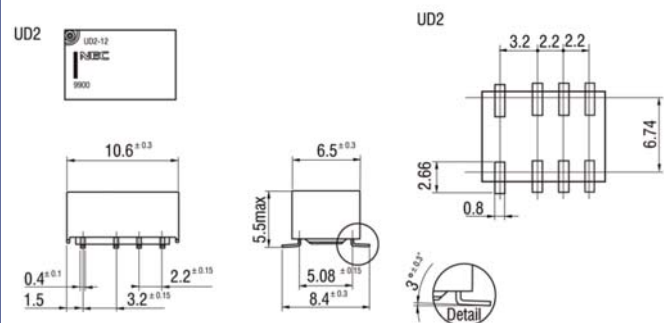
### Technical Specification

Contact Form	2C
Contact Material	Silver Alloy with Gold Overlay
Rated Load (Resistive Load)	1A 30VDC 0.3A 110VDC 0.5A 125VAC
Max. Switching Voltage	220VDC / 250VAC
Max. Switching Power	30W / 37.5VA
Coil Voltage	3 to 24VDC
Nominal Operating Power	100 to 140mW
Dimensions (L x W x H) mm	10.6 x 6.5 x 5.45
Cross Reference	Omron G6K Fujitsu FTR-B3

### Ordering Information



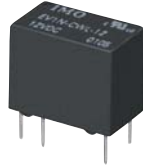
### Outline dimensions (mm) Wiring diagram and PC Board layout



## EV1N

### Key Features:

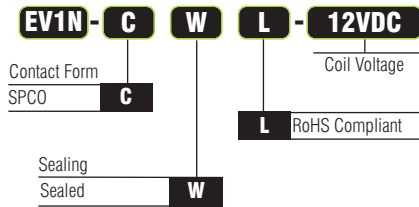
- High sensitive: 150mW
- 1 Form C configuration
- Plastic sealed type available



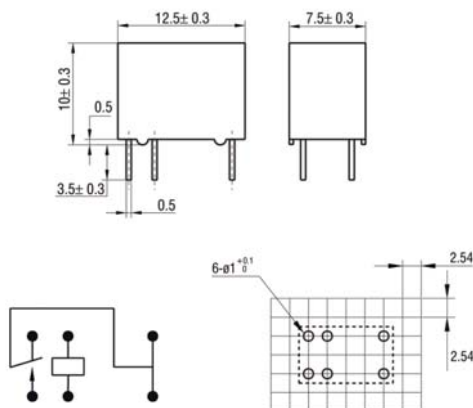
### Technical Specification

Contact Form	1C
Contact Material	Silver Alloy with Gold Overlay
Rated Load (Resistive Load)	1A 30VDC 0.3A 60VDC 0.5A 125VAC
Max. Switching Voltage	60VDC / 125VAC
Max. Switching Power	30W / 62.5VA
Coil Voltage	1.5 to 24VDC
Nominal Operating Power	150 to 200mW
Dimensions (L x W x H) mm	12.5 x 7.5 x 10.0
Cross Reference	Omron G5V-1 / Panasonic HY Fujitsu SY / Tyco V23111

### Ordering Information



### Outline dimensions (mm) Wiring diagram and PC Board layout



## EM2

### Key Features:

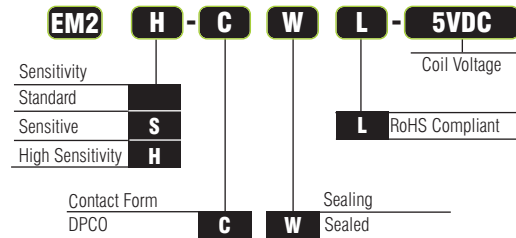
- High switching capability 125VAC / 60W
- Epoxy plastic sealed for automatic wave soldering and cleaning
- Bifurcated contacts



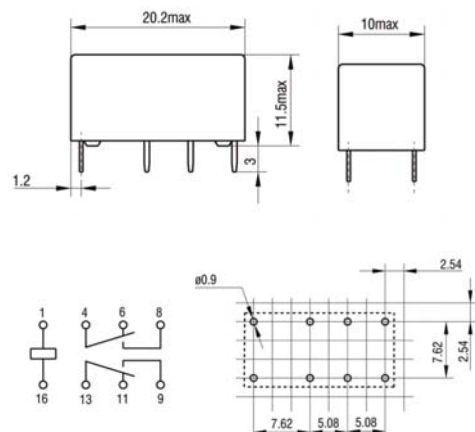
### Technical Specification

Contact Form	2C
Contact Material	Silver Alloy with Gold Overlay
Rated Load (Resistive Load)	2A 30VDC 1A 125VAC
Max. Switching Voltage	120VDC / 240VAC
Max. Switching Power	60W / 125VA
Coil Voltage	3 to 48VDC
Nominal Operating Power	150 to 580mW
Dimensions (L x W x H) mm	20.2 x 10.0 x 11.5
Cross Reference	Omron G5V-2 / Panasonic DS2Y Fujitsu FBR244 - FTR C2 / Tyco V23105

### Ordering Information



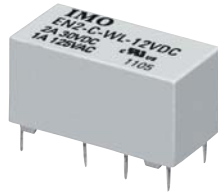
### Outline dimensions (mm) Wiring diagram and PC Board layout



## EN2

### Key Features:

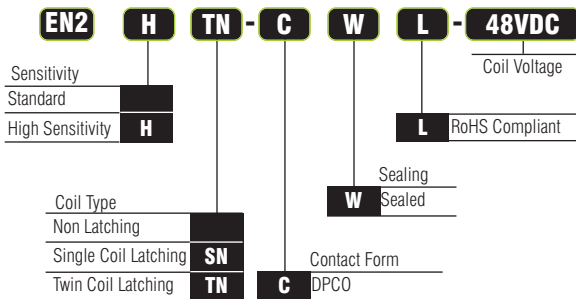
- High sensitivity: 150mW
- High switching capability 125VAC / 90W
- Epoxy plastic sealed for automatic wave soldering and cleaning
- Bifurcated contacts
- Single side stable and latching types available



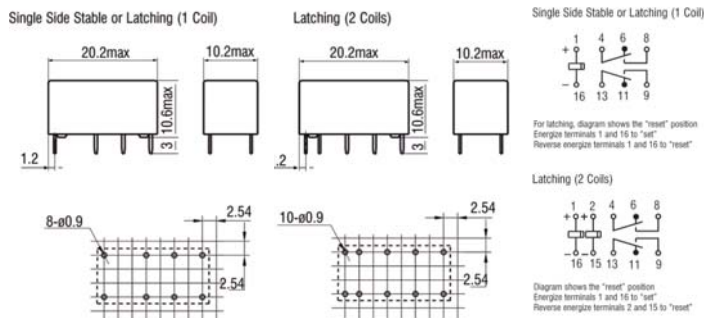
### Technical Specification

Contact Form	2C
Contact Material	Ag-AuAg8, AgPd60
Rated Load (Resistive Load)	2A 25VDC
	0.5A 60VDC
	1A 120VAC
Max. Switching Voltage	220VDC / 250VAC
Max. Switching Power	90W / 125VA
Coil Voltage	3 to 48VDC
Nominal Operating Power	75 to 200mW
Dimensions (L x W x H) mm	20.2 x 10.2 x 10.6
Cross Reference	Omron G6A / Panasonic DS2E Fujitsu RA / Tyco V23042

### Ordering Information



### Outline dimensions (mm) Wiring diagram and PC Board layout



## ETNA / ETPA

### Key Features:

- 5A switching capability
- 3kV dielectric strength
- Surge voltage up to 4kV
- Slim size (width 5mm, height 12.5mm)
- High sensitivity 120mW



### Technical Specification

Contact Form	1A
Contact Material	AgNi, AgSnO <sub>2</sub>
Rated Load (Resistive Load)	5A 250VAC 5A 30VDC
Max. Switching Voltage	30VDC / 250VAC
Max. Switching Power	150W / 1250VA
Coil Voltage	5 to 24VDC
Nominal Operating Power	120 to 180mW
Dimensions (L x W x H) mm	20.0 x 5.0 x 12.5
Cross Reference	Omron G6DS / Panasonic PA Fujitsu RS/NY / Tyco - PCN

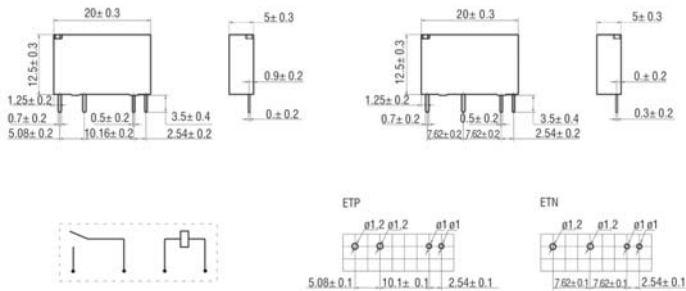
### Ordering Information

**ETNA / ETPA** **1A** - **N** - **S** **L** - **12VDC**

Contact Form	SPNO	<b>1A</b>	Coil Voltage	
			<b>L</b>	RoHS Compliant
Contact Material	AgNi	<b>N</b>	Sealing	
	AgSnO <sub>2</sub>	<b>T</b>	<b>S</b>	Sealed
	AgNi + Au Plated	<b>N1</b>		
	AgNi bifurcated + Au Plated	<b>N2</b>		

**Socket Selection**  
SRTN

### Outline dimensions (mm) Wiring diagram and PC Board layout



## ETS

### Key Features:

- Slim size (width 5mm)
- 4kV dielectric strength between coil and contacts
- Surge voltage up to 6kV between coil and contacts
- High sensitivity: 170mW
- SPNO and SPCO contact forms



### Technical Specification

Contact Form	1A, 1C
Contact Material	AgNi, AgSnO <sub>2</sub>
Rated Load (Resistive Load)	6A 250VAC 6A 30VDC
Max. Switching Voltage	125VDC / 400VAC
Max. Switching Power	180W / 1500VA
Coil Voltage	5 to 60VDC
Nominal Operating Power	170mW (48VDC and 60 VDC: 210mW)
Dimensions (L x W x H) mm	28.0 x 5.0 x 15.0
Cross Reference	Panasonic PE Fujitsu FTR-LY Tyco V23092

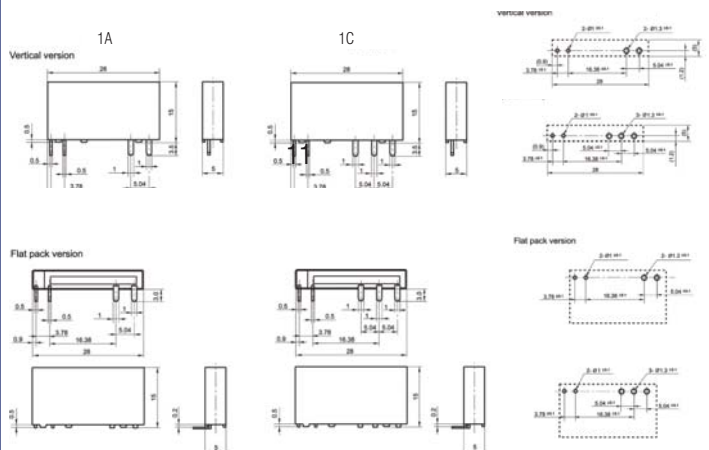
### Ordering Information

**ETS - 1A** **N** - **S** **L** - **12VDC**

Contact Form	SPNO	<b>1A</b>	Coil Voltage	
	SPCO	<b>1C</b>	<b>L</b>	RoHS Compliant
Contact Material	AgNi	<b>N</b>	Sealing	
	AgNi + Au Plated	<b>N1</b>	<b>S</b>	Sealed
	AgSnO <sub>2</sub>	<b>T</b>		
		<b>B</b>	Vertical	
			Flat Pack	

**Socket Selection**  
SRSI | SRSC

### Outline dimensions (mm) Wiring diagram and PC Board layout



## STN

### Key Features:

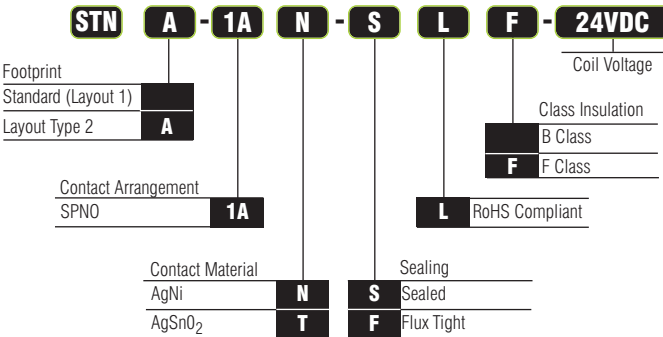
- Up to 10A switching capability
- 10kV impulse withstand voltage
- Highly efficient magnetic circuit for sensitivity (200mW)
- Extremely small footprint
- Class F & B insulation system



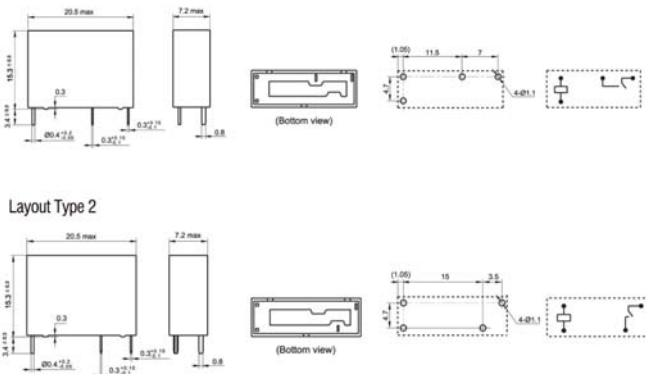
### Technical Specification

Contact Form	1A
Contact Material	AgNi, AgSnO <sub>2</sub>
Rated Load (Resistive Load)	3A 250VAC/30VDC 5A 250VAC/30VDC
Max. Switching Voltage	30VDC / 277VAC
Max. Switching Power	150W / 1385VA
Coil Voltage	3 to 24VDC
Nominal Operating Power	200mW
Dimensions (L x W x H) mm	15.7 x 11.0 x 12.0
Cross Reference	Omron G5NB/G5T / Panasonic LD Fujitsu FTR-F3 / Tyco PCJ

### Ordering Information



### Outline dimensions (mm) Wiring diagram and PC Board layout



## ERB

### Key Features:

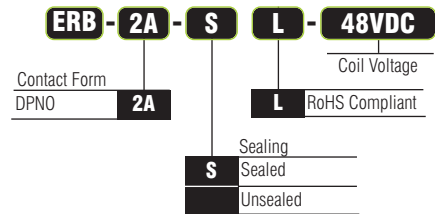
- 5A switching capability
- DPNO slim type
- Sealed & Unsealed types available
- TV-3 125VAC approved by UL standard



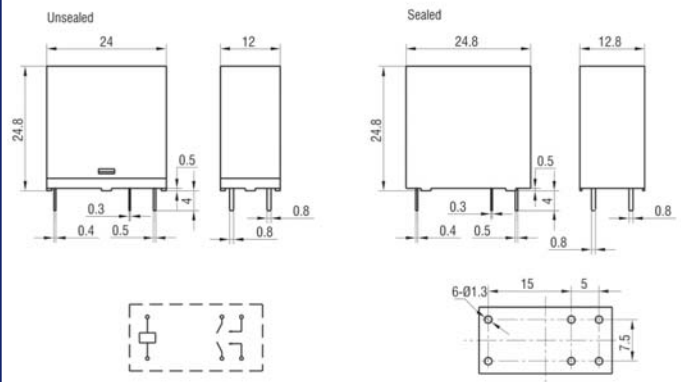
### Technical Specification

Contact Form	2A
Contact Material	AgSnO <sub>2</sub>
Rated Load (Resistive Load)	5A 250VAC/30VDC
Max. Switching Voltage	30VDC / 250VAC
Max. Switching Power	150W / 1250VA
Coil Voltage	5 to 48VDC
Nominal Operating Power	530mW
Dimensions (L x W x H) mm	23.6 x 12.0 x 24.8
Cross Reference	Omron G5PA-2 / Panasonic LA Fujitsu FTR-F4 / Tyco OSA

### Ordering Information



### Outline dimensions (mm) Wiring diagram and PC Board layout



## SRDA

### Key Features:

- 5A switching capability
- SPNO & SPCO configurations
- Creepage / clearance distance: >8mm
- 5kV dielectric strength
- Dense mounting



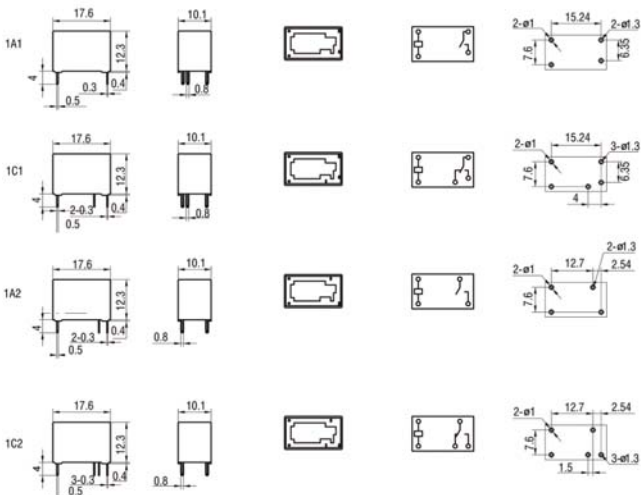
### Technical Specification

Contact Form	1A, 1C
Contact Material	AgNi
Rated Load (Resistive Load)	1A: 5A 250VAC/30VDC 1C: 3A 250VAC/30VDC
Max. Switching Voltage	30VDC / 250VAC
Max. Switching Power	150W / 1250VA
Coil Voltage	3 to 48VDC
Nominal Operating Power	200 to 450mW
Dimensions (L x W x H) mm	17.6 x 10.1 x 12.3
Cross Reference	Fujitsu JV Tyco OJ/OJE

### Ordering Information

<b>SRDA</b>		<b>H</b>	<b>-1C</b>	<b>1</b>	<b>N</b>	<b>-S</b>	<b>L</b>	<b>-12VDC</b>
Sensitivity Standard		<b>H</b>					<b>L</b>	Coil Voltage
Sensitivity Sensitive (SPNO only)		<b>H</b>					<b>L</b>	RoHS Compliant
Contact Form			<b>1A</b>			<b>S</b>		Sealing
Contact Form SPNO			<b>1A</b>			<b>S</b>		Sealed
Contact Form SPCO			<b>1C</b>					
Terminal Types				<b>1</b>				Contacts
Terminal Types Layout 1				<b>1</b>	<b>N</b>			AgNi
Terminal Types Layout 2				<b>2</b>	<b>N1</b>			AgNi + Au Plated

### Outline dimensions (mm) Wiring diagram and PC Board layout



## SRD

### Key Features:

- 10A switching capability
- SPNO & SPCO configurations
- Subminiature PCB layout



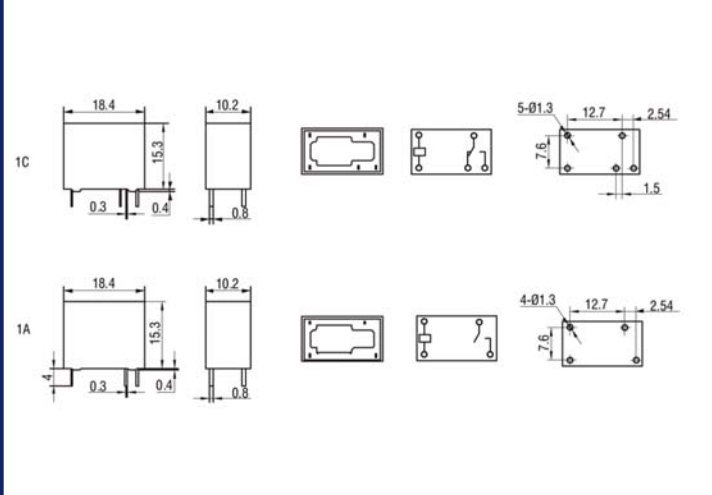
### Technical Specification

Contact Form	1A, 1C
Contact Material	AgNi
Rated Load (Resistive Load)	1A: 10A 125VAC 1A: 5A 250VAC/30VDC 1C: 3A 250VAC/30VDC
Max. Switching Voltage	30VDC / 250VAC
Max. Switching Power	150W / 1250VA
Coil Voltage	3 to 48VDC
Nominal Operating Power	200 to 450mW
Dimensions (L x W x H) mm	18.4 x 10.2 x 15.3
Cross Reference	Fujitsu JV Tyco OJ/OJE

### Ordering Information

<b>SRD</b>		<b>H</b>	<b>-1A</b>	<b>-S</b>	<b>L</b>	<b>-48VDC</b>
Sensitivity Standard		<b>H</b>			<b>L</b>	Coil Voltage
Sensitivity Sensitive (SPNO only)		<b>H</b>			<b>L</b>	RoHS Compliant
Contact Form			<b>1A</b>	<b>S</b>		Sealing
Contact Form SPNO			<b>1A</b>	<b>S</b>		Sealed
Contact Form SPCO			<b>1C</b>			

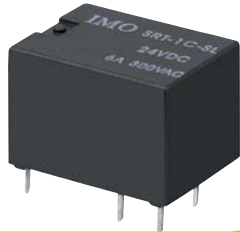
### Outline dimensions (mm) Wiring diagram and PC Board layout



## SRT

### Key Features:

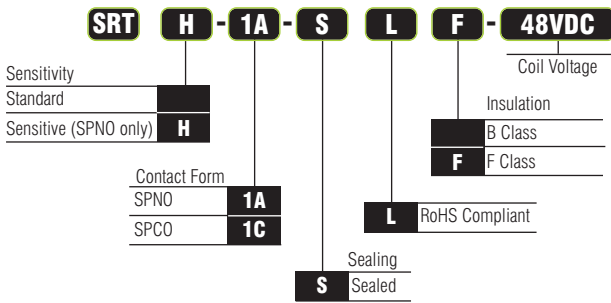
- 6A switching capability
- SPNO & SPCO configurations
- Subminiature, high sensitivity relay



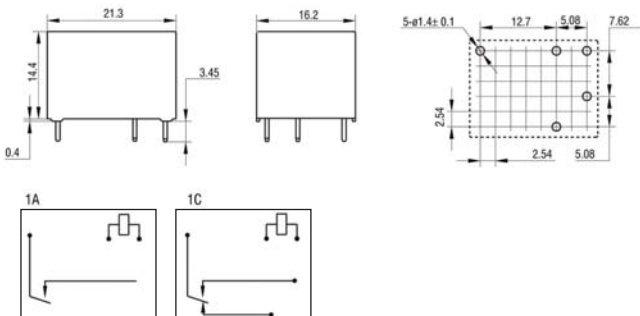
### Technical Specification

Contact Form	1A, 1C
Contact Material	AgNi
Rated Load (Resistive Load)	6A 300VAC/28VDC
Max. Switching Voltage	30VDC / 300VAC
Max. Switching Power	300W / 1800VA
Coil Voltage	3 to 48VDC
Nominal Operating Power	330 to 600mW
Dimensions (L x W x H) mm	21.3 x 16.2 x 14.4
Cross Reference	Fujitsu LZ Tyco OUDH / T73

### Ordering Information



### Outline dimensions (mm) Wiring diagram and PC Board layout



## ERE

### Key Features:

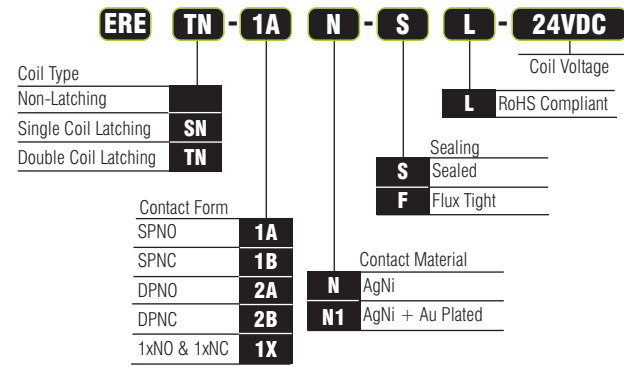
- Single side stable and latching type available
- High switching capacity: up to 8A
- High sensitivity: 150-300mW
- 3kV dielectric strength between coil & contacts



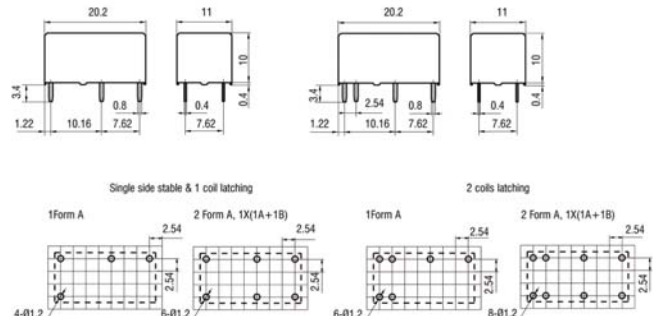
### Technical Specification

Contact Form	1A, 1B   2A, 2B, 1A+1B
Contact Material	AgNi
Rated Load (Resistive Load)	1A, 1B: 8A 250VAC/ 5A 30VDC 2A, 2B, 1A + 1B: 5A 250VAC/30VDC
Max. Switching Voltage	125VDC / 380VAC
Max. Switching Power	150W/2000VA   150W/1250VA
Coil Voltage	3 to 24VDC
Nominal Operating Power	150 to 300mW
Dimensions (L x W x H) mm	20.2 x 11.0 x 10.4
Cross Reference	Omron G6B Panasonic DSP

### Ordering Information



### Outline dimensions (mm) Wiring diagram and PC Board layout



## SRU

### Key Features:

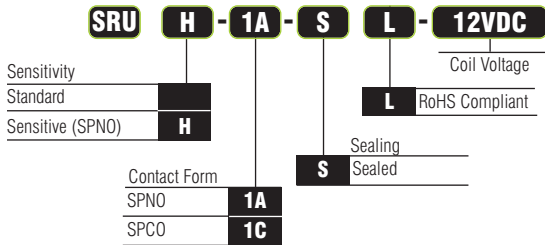
- 10A switching capability
- SPNO & SPCO configurations
- Creepage distance: 8mm
- Clearance distance: NO - 4.5mm, NC - 4mm



### Technical Specification

Contact Form	1A, 1C
Contact Material	AgNi
Rated Load (Resistive Load)	NO: 10A 125VAC 5A 250VAC/30VDC NC: 3A 250VAC/30VDC
Max. Switching Voltage	30VDC / 277VAC
Max. Switching Power	150W / 1250VA
Coil Voltage	3 to 48VDC
Nominal Operating Power	200 to 450mW
Dimensions (L x W x H) mm	20.5 x 10.2 x 15.3
Cross Reference	Omron G5SB/G5Q / Panasonic JQ/PQ Fujitsu JY / Tyco RE/REL/PCH

### Ordering Information



## ERT

### Key Features:

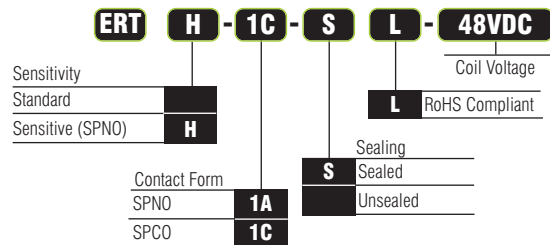
- 10A switching capability
- SPNO & SPCO configurations
- Sealed & Unsealed types available



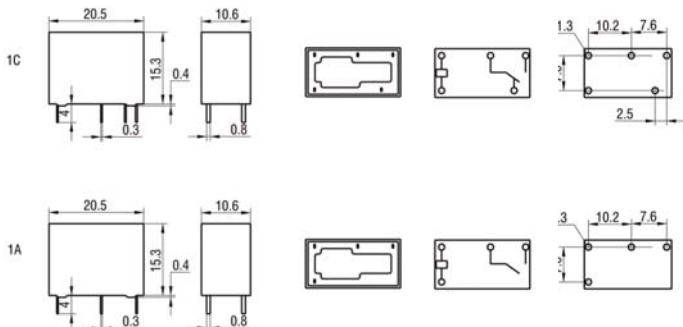
### Technical Specification

Contact Form	1A, 1C
Contact Material	AgSnO <sub>2</sub>
Rated Load (Resistive Load)	10A 250VAC/30VDC TV-5 125VAC
Max. Switching Voltage	30VDC / 250VAC
Max. Switching Power	300W / 2500VA
Coil Voltage	5 to 48VDC
Nominal Operating Power	250 to 530mW
Dimensions (L x W x H) mm	23.8 x 9.5 x 24.5
Cross Reference	Omron G5PA-1 / Panasonic LK Fujitsu FTR-H2/F2 / Tyco SDT

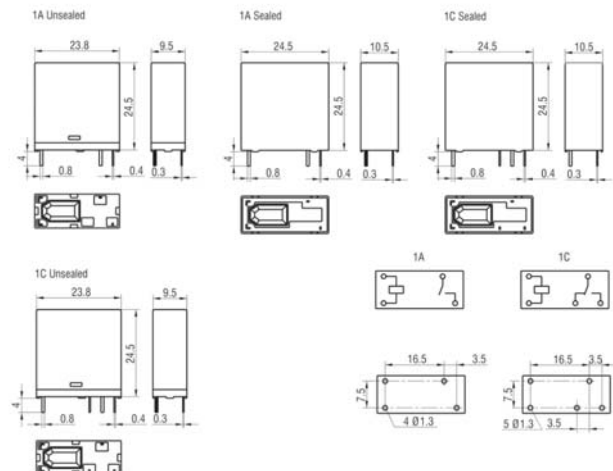
### Ordering Information



### Outline dimensions (mm) Wiring diagram and PC Board layout



### Outline dimensions (mm) Wiring diagram and PC Board layout





## SRQ

### Key Features:

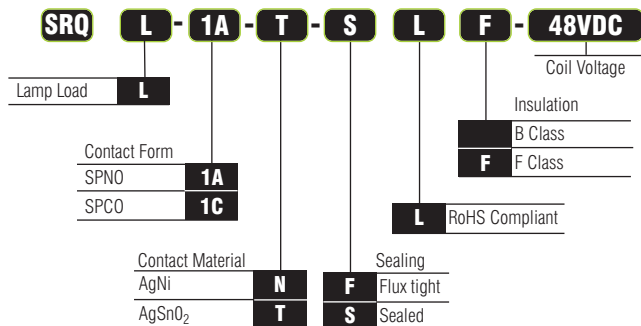
- 15A switching capability
- SPNO & SPCO configuration
- Sealed & Unsealed types available
- Flammability class UL94, V-0
- Lamp load version available TV-5 125VAC



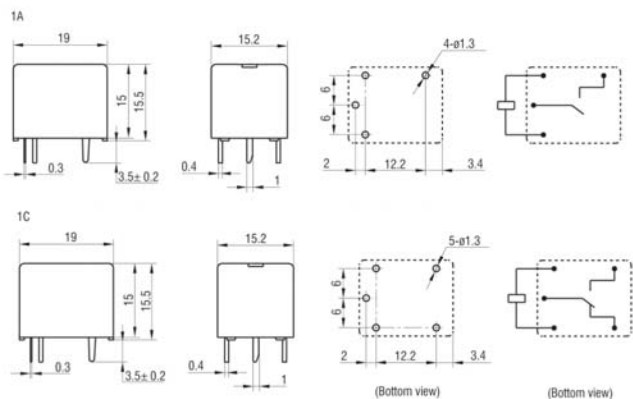
### Technical Specification

Contact Form	1A, 1C
Contact Material	AgNi, AgSnO <sub>2</sub>
Rated Load (Resistive Load)	1A: 10A 250VAC/28VDC 1C: NO 10A 250VAC/28VDC NO/NC: 5A/5A 250VAC
Max. Switching Voltage	30VDC / 277VAC
Max. Switching Power	210W / 2770VA
Coil Voltage	3 to 48VDC
Nominal Operating Power	360mW
Dimensions (L x W x H) mm	19.0 x 15.2 x 15.5
Cross Reference	Omron G5LB / Panasonic JS Tyco T72 / Songchuan 899

### Ordering Information



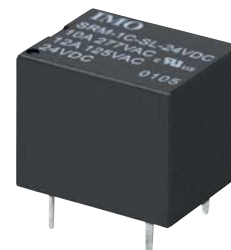
### Outline dimensions (mm) Wiring diagram and PC Board layout



## SRM

### Key Features:

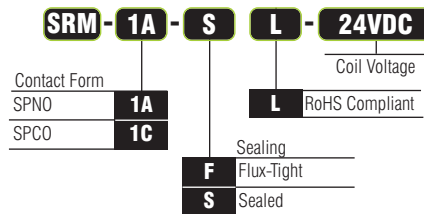
- 15A switching capability
- SPNO & SPCO configurations
- Sealed & Unsealed types available
- VDE Approved



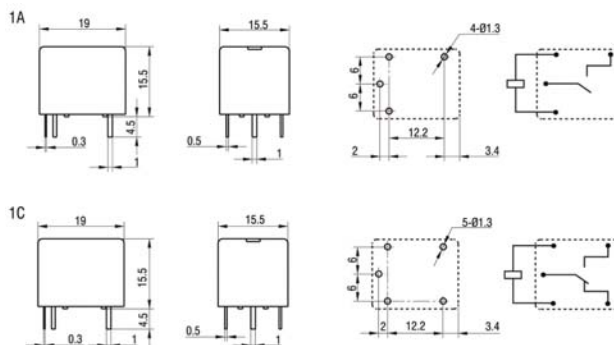
### Technical Specification

Contact Form	1A, 1C
Contact Material	AgSnO <sub>2</sub>
Rated Load (Resistive Load)	10A 277VAC 10A 28VDC
Max. Switching Voltage	30VDC / 277VAC
Max. Switching Power	210W / 2770VA
Coil Voltage	5 to 48VDC
Nominal Operating Power	360mW (48VDC: 510mW)
Dimensions (L x W x H) mm	19.0 x 15.2 15.5
Cross Reference	Omron G5LC / G5LE Panasonic JS / Finder 36.11 Tyco T72 / OEG PCE/ORWH

### Ordering Information



### Outline dimensions (mm) Wiring diagram and PC Board layout




## ETC

## ERN


**Key Features:**

- Single side stable and latching type available
- High switching capacity: up to 10A
- 4kV dielectric strength between coil & contacts
- High sensitivity: 200-280mW



**Key Features:**

- 16A switching capability
- SPNO & SPCO configurations
- 2kV dielectric strength
- High performance / low profile
- UL94V-0, CTI250 flammability class



### Technical Specification

Contact Form	1A, 1B   2A 2B, 1A + 1B
Contact Material	AgNi, AgSnO <sub>2</sub>
Rated Load (Resistive Load)	1A, 1B: 10A 250VAC/30VDC 2A, 2B, 1A + 1B: 8A 250VAC/30VDC
Max. Switching Voltage	30VDC / 277VAC
Max. Switching Power	2500VA   2000VA
Coil Voltage	3 to 24VDC
Nominal Operating Power	200 to 420mW
Dimensions (L x W x H) mm	20.0 x 15.0 x 10.2
Cross Reference	Omron G6C Panasonic DK

### Technical Specification

Contact Form	1A, 1C
Contact Material	AgSnO <sub>2</sub>
Rated Load (Resistive Load)	1A 16A 250VAC 1C: 12A 125VAC NO/NC: 10A/7A 250VAC
Max. Switching Voltage	28VDC / 250VAC
Max. Switching Power	280W / 4000VA
Coil Voltage	3 to 48VDC
Nominal Operating Power	360mW
Dimensions (L x W x H) mm	22.0 x 16.0 x 16.4
Cross Reference	Omron G5LE-VD / Panasonic JSM Fujitsu FBR160 / Songchuan 812BH

### Ordering Information

### Ordering Information

**ETC - TN - 1A - N - S - L - 24VDC**

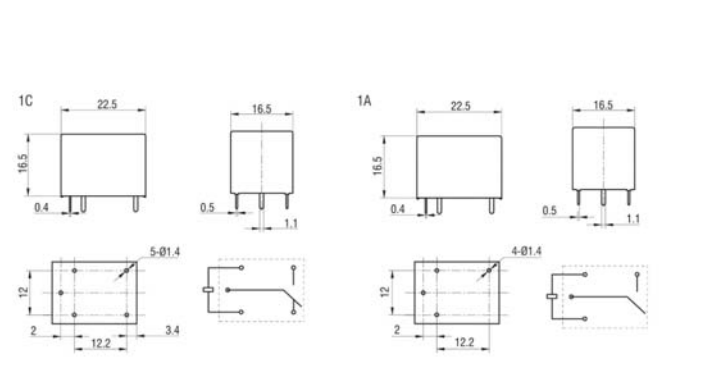
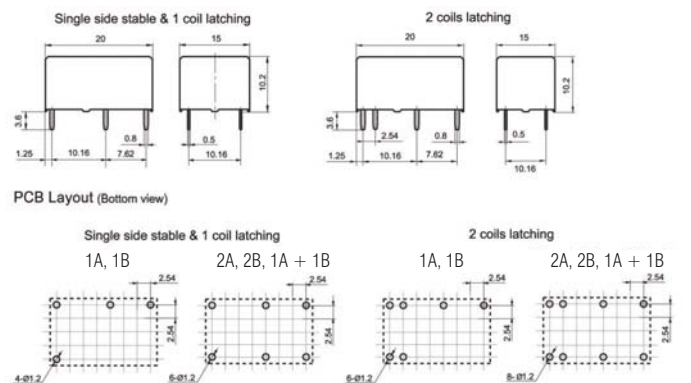
Coil Type	Non-Latching	Single Coil Latching	Double Coil Latching
Contact Form	SPNO: 1A, SPNC: 1B, DPNO: 2A, DPNC: 2B, 1xNO & 1xNC: 1X	Sealing: S (Sealed), F (Flux Tight)	Coil Voltage: 24VDC
Contact Material	N: AgNi, N1: AgNi + Au plated	RoHS Compliant: L	

**ERN - 1C - S - L - F - 48VDC**

Contact Form	SPNO: 1A, SPCO: 1C	Sealing: Unsealed, Sealed	RoHS compliant: L
Coil Voltage	48VDC	Insulation: B Class, F Class	

### Outline dimensions (mm) Wiring diagram and PC Board layout

### Outline dimensions (mm) Wiring diagram and PC Board layout



Please refer to the full technical datasheet for latching version wiring diagrams

## SRHH

### Key Features:

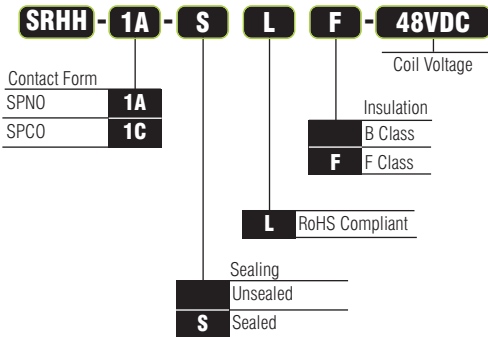
- 15A switching capability
- SPNO & SPCO configurations
- Standard PCB layout
- Sealed & Unsealed types available
- B & F Class insulation systems



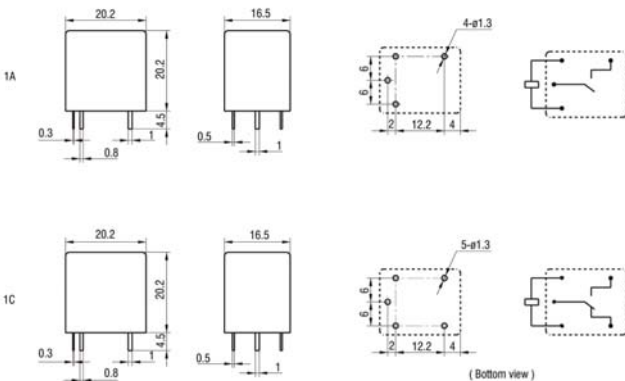
### Technical Specification

Contact Form	1A, 1B, 1C
Contact Material	AgSnO <sub>2</sub>
Rated Load (Resistive Load)	1A, 1B: 15A 120VAC 1C: 10A 120VAC/24VDC
Max. Switching Voltage	30VDC / 250VAC
Max. Switching Power	240W / 1800VA
Coil Voltage	5 to 48VDC
Nominal Operating Power	360mW (48VDC: 530mW)
Dimensions (L x W x H) mm	20.2 x 16.5 x 20.2
Cross Reference	Omron G5L Tyco LN/41896 OEG SRUDH / SRUHH

### Ordering Information



### Outline dimensions (mm) Wiring diagram and PC Board layout



## SRC

### Key Features:

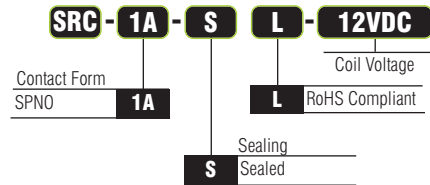
- 12A switching capability
- SPNO configuration
- Subminiature standard PCB layout
- Sealed & Unsealed types available



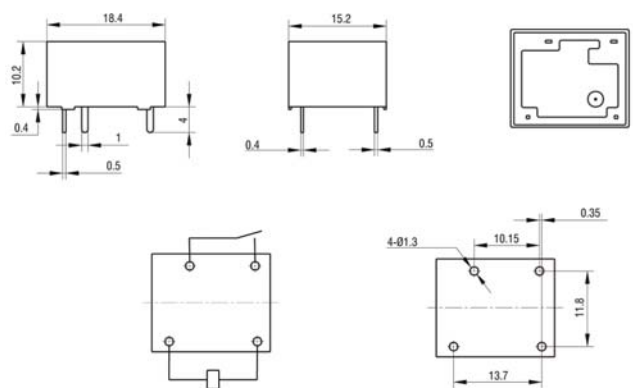
### Technical Specification

Contact Form	1A
Contact Material	AgSnO <sub>2</sub>
Rated Load (Resistive Load)	12A 125VAC 10A 277VAC/30VDC
Max. Switching Voltage	30VDC / 277VAC
Max. Switching Power	300W / 2770VA
Coil Voltage	3 to 24VDC
Nominal Operating Power	450mW
Dimensions (L x W x H) mm	18.4 x 15.2 x 10.2
Cross Reference	Songchuan 834

### Ordering Information



### Outline dimensions (mm) Wiring diagram and PC Board layout



## SRCAP

### Key Features:

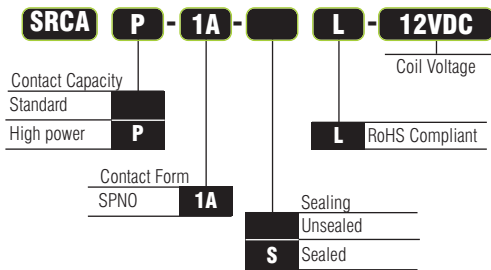
- Low height, flat construction
- 16A switching capability
- High Sensitivity 200mW
- Sealed & Unsealed types available



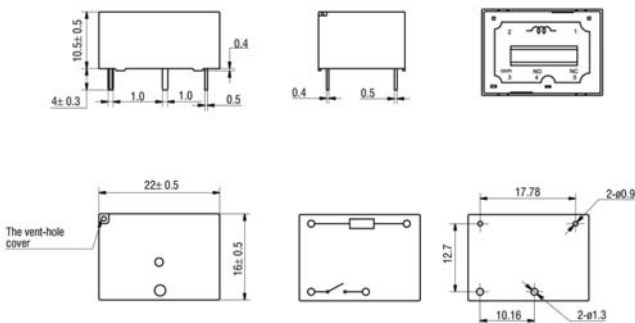
### Technical Specification

Contact Form	1A
Contact Material	AgNi
Rated Load (Resistive Load)	1A: 16A 250VAC 10A 250VAC/30VDC 1C: NO/NC 10A/6A 125/250VAC
Max. Switching Voltage	30VDC / 250VAC
Max. Switching Power	300W / 4000VA
Coil Voltage	5 to 48VDC
Nominal Operating Power	200 to 400mW
Dimensions (L x W x H) mm	22.0 x 16.0 x 10.5
Cross Reference	Omron G5CA Panasonic JV/JVN Tyco PCD

### Ordering Information



### Outline dimensions (mm) Wiring diagram and PC Board layout



## EJHP

### Key Features:

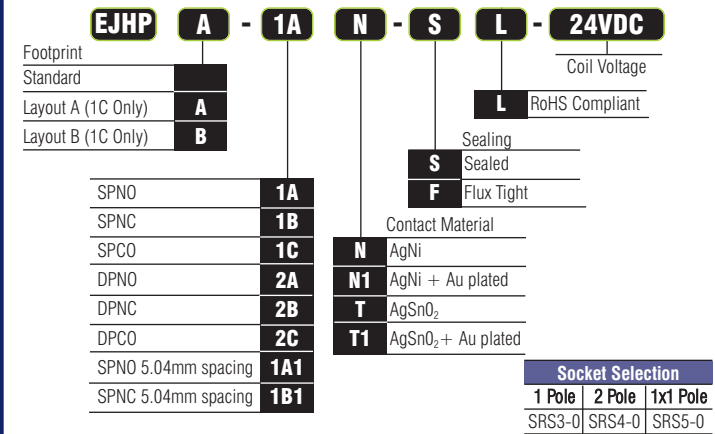
- 10A switching capability
- 1 & 2 pole configurations
- 5kV dielectric strength
- Low height 12.5mm
- Creepage distance >8mm



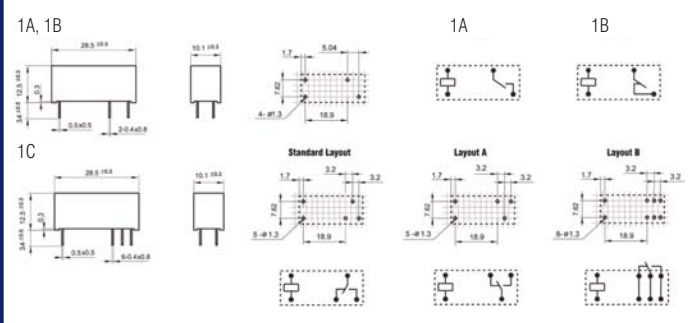
### Technical Specification

Contact Form	1A, 1B, 1C	2A, 2B, 2C
Contact Material	AgSnO <sub>2</sub>	
Rated Load (Resistive Load)	10A 250VAC 10A 30VDC	5A 250VAC 5A 30VDC
Max. Switching Voltage	125VDC / 440VAC	
Max. Switching Power	300W/2500VA	150W/1250VA
Coil Voltage	5 to 60VDC	
Nominal Operating Power	220 to 360mW	
Dimensions (L x W x H) mm	28.5 x 10.1 x 12.5	
Cross Reference	Omron G6RN Fujitsu FTR-F1 Schrack RY11	

### Ordering Information



### Outline dimensions (mm) Wiring diagram and PC Board layout



Please refer to the full technical datasheet for the outline dimensions and wiring diagrams for the 2A, 2B and 2C

## ERR

### Key Features:

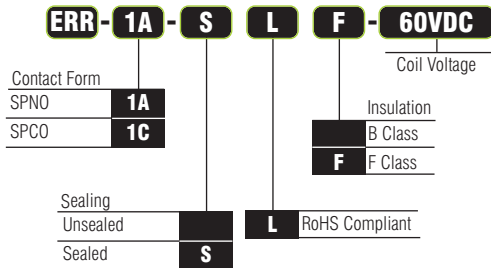
- 10A switching capability
- 1 & 2 pole configurations
- 5kV dielectric strength
- Sealed and Unsealed types available



### Technical Specification

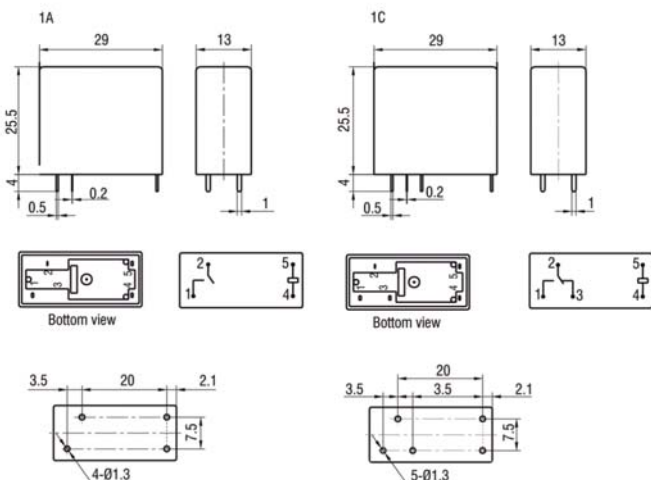
Contact Form	1A, 1C
Contact Material	AgSnO <sub>2</sub>
Rated Load (Resistive Load)	10A 277VAC/30VDC
Max. Switching Voltage	30VDC/277VAC
Max. Switching Power	300W/2770VAC
Coil Voltage	3 to 60VDC
Nominal Operating Power	530mW
Dimensions (L x W x H) mm	29.0 x 13.0 x 26.0
Cross Reference	Omron G2R / Panasonic JR Fujitsu FBR-F1/VSB/VS Tyco RKA/RKS

### Ordering Information



Socket Selection	
SPNO	SPCO
SRS1-0	SRS2-0
SRN3-S	SRN5-S

### Outline dimensions (mm) Wiring diagram and PC Board layout



## SRRHN

### Key Features:

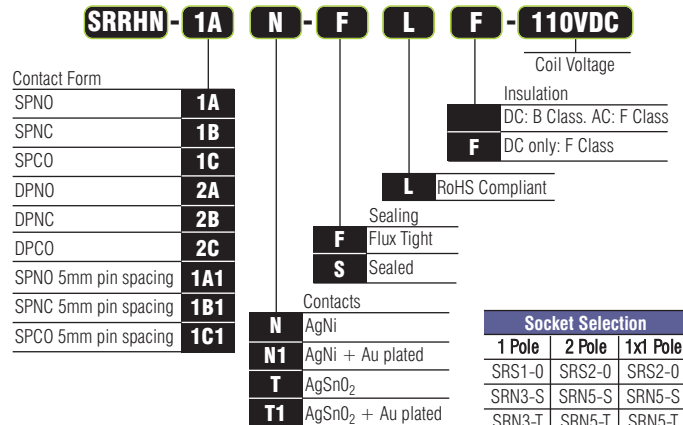
- Low height 15.7mm
- 1 & 2 pole configurations
- 5kV dielectric strength
- Creepage distance 10mm
- VDE Approved



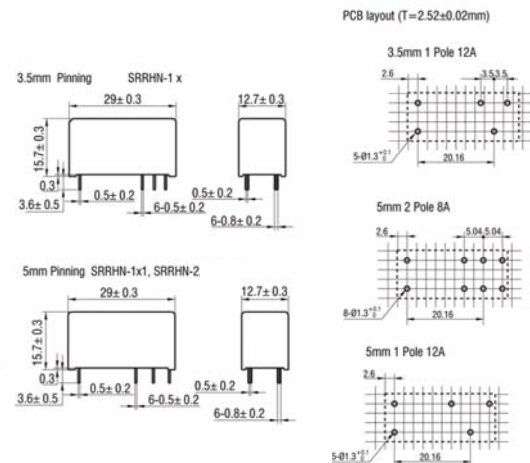
### Technical Specification

Contact Form	1A, 1B, 1C	2A, 2B, 2C
Contact Material	AgNi, AgSnO <sub>2</sub>	
Rated Load (Resistive Load)	12A 250VAC	8A 250VAC
Max. Switching Voltage	125VDC / 440VAC	
Max. Switching Power	3000VAC	2000VAC
Coil Voltage	5 to 110VDC / 24, 115 & 230VAC	
Nominal Operating Power	400mW, 0.75VA	
Dimensions (L x W x H) mm	29.0 x 12.7 x 15.7	
Cross Reference	Omron G2RL / Panasonic JW1/JW2/DJ Schrack RT / Fujitsu FTR-K1 Finder 41 Series	

### Ordering Information



### Outline dimensions (mm) Wiring diagram and PC Board layout



## SRRNS

### Key Features:

- High sensitivity coil 250mW
- Low height 15.7mm
- 10A switching capabilities
- 5kV dielectric strength
- Creepage distance 10mm
- Sealed and Unsealed types available



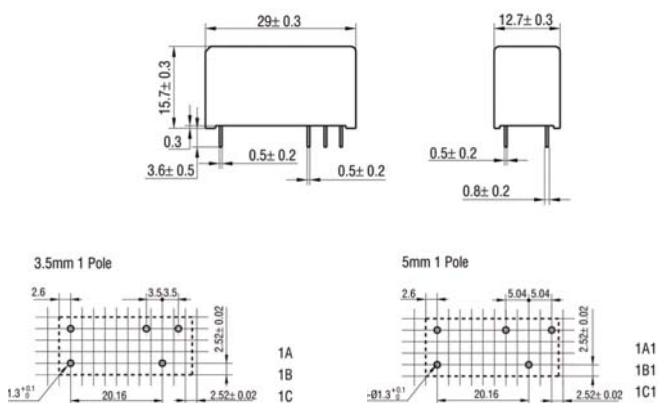
### Technical Specification

Contact Form	1A, 1B, 1C
Contact Material	AgNi, AgSnO <sub>2</sub>
Rated Load (Resistive Load)	10A 250VAC
Max. Switching Voltage	125VDC / 440VAC
Max. Switching Power	2500VA
Coil Voltage	5 to 60VDC
Nominal Operating Power	250mW
Dimensions (L x W x H) mm	29.0 x 12.7 x 15.7
Cross Reference	Schrack RT1 Sensitive Fujitsu FTR-K1

### Ordering Information

<b>SRRNS - 1C N S L - 60VDC</b>	
Contact arrangement	<b>1A</b>
SPNO	<b>1A</b>
SPNC	<b>1B</b>
SPCO	<b>1C</b>
SPNO 5mm Pin Spacing	<b>1A1</b>
SPNC 5mm Pin Spacing	<b>1B1</b>
SPCO 5mm Pin Spacing	<b>1C1</b>
Coil Voltage	<b>60VDC</b>
Sealing	<b>S</b> Sealed <b>Unsealed</b>
Contact material	<b>N</b> AgNi <b>T</b> AgSnO <sub>2</sub>
Socket Selection	<b>1 Pole</b> SRS1-0 <b>2 Pole</b> SRS2-0 <b>1x1 Pole</b> SRS2-0 SRN3-S SRN5-S SRN5-S SRN3-T SRN5-T SRN5-T
RoHS Compliant	<b>L</b>

### Outline dimensions (mm) Wiring diagram and PC Board layout



## SRP

### Key Features:

- Low height 15.7mm
- 16A switching capabilities
- 5kV dielectric strength
- Creepage distance 10mm
- Sealed and unsealed types available
- VDE Approved



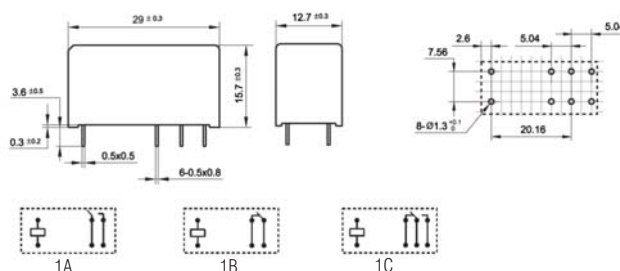
### Technical Specification

Contact Form	1A, 1B, 1C
Contact Material	AgNi, AgSnO <sub>2</sub>
Rated Load (Resistive Load)	16A 250VAC
Max. Switching Voltage	125VDC / 440VAC
Max. Switching Power	4000VA
Coil Voltage	5 to 110VDC / 24, 115 & 230VAC
Nominal Operating Power	400mW, 0.75VA
Dimensions (L x W x H) mm	29.0 x 12.7 x 15.7
Cross Reference	Omron G2RL / Panasonic JW1/JW2/DJ Schrack RT / Fujitsu FTR-K1

### Ordering Information

<b>SRP 1A - N F - L F - 110VDC</b>	
Contact arrangement	<b>1A1</b>
SPNO	<b>1A1</b>
SPNC	<b>1B1</b>
SPCO	<b>1C1</b>
Coil Voltage	<b>110VDC</b>
Insulation	<b>B</b> Class <b>F</b> Class
Contacts	<b>N</b> AgNi <b>N1</b> AgNi + Au plated <b>T</b> AgSnO <sub>2</sub> <b>T1</b> AgSnO <sub>2</sub> + Au plated
Sealing	<b>S</b> Sealed <b>Unsealed</b>
RoHS Compliant	<b>L</b>

### Outline dimensions (mm) Wiring diagram and PC Board layout



## SRRLC

### Key Features:

- Low height 15.7mm
- 1 & 2 pole configurations
- 5kV dielectric strength
- Creepage distance 10mm



### Technical Specification

Contact Form	1A, 1C	2A, 2C
Contact Material	AgSnO <sub>2</sub> , AgSnO <sub>2</sub> + Au Plated	
Rated Load (Resistive Load)	12A 250VAC	8A 250VAC
Max. Switching Voltage	400VAC	
Max. Switching Power	3000VA	2000VA
Coil Voltage	5 to 48VDC, 230VAC	
Nominal Operating Power	400mW, 0.75VA	
Dimensions (L x W x H) mm	29.0 x 12.7 x 15.7	
Cross Reference	Omron G2RL / Panasonic JW1/JW2/DJ Schrack RT / Fujitsu FTR-K1 Finder 41 Series	

### Ordering Information

**SRRLC - 1A - T - F - L - F - 48VDC**

Contact arrangement

SPNO	<b>1A</b>
SPCO	<b>1C</b>
DPNO	<b>2A</b>
DPCO	<b>2C</b>
SPNO 5mm pin spacing	<b>1A1</b>
SPCO 5mm pin spacing	<b>1C1</b>

Coil Voltage: **48VDC**

Insulation: **F** DC: B Class, AC: F Class; **F** DC only: F Class

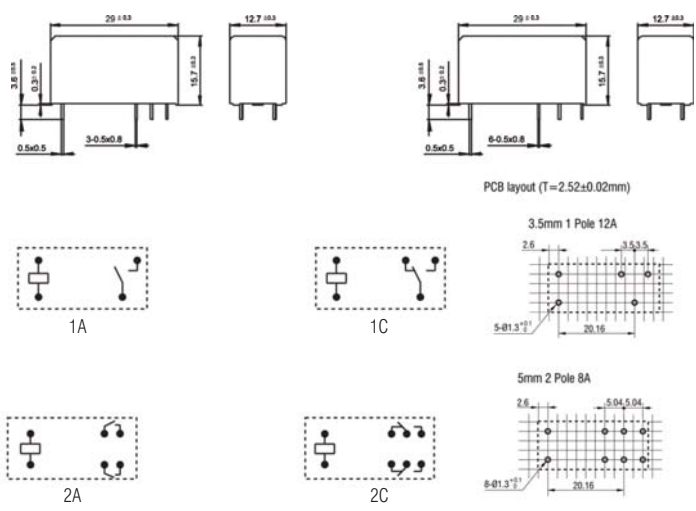
**L** RoHS Compliant

Sealing: **D** Dust Cover; **F** Flux Tight; **S** Sealed

Contacts: **T** AgSnO<sub>2</sub>; **T1** AgSnO<sub>2</sub> + Au plated

Socket Selection		
1 Pole	2 Pole	1x1 Pole
SRS1-0	SRS2-0	SRS2-0
SRN3-S	SRN5-S	SRN5-S
SRN3-T	SRN5-T	SRN5-T

### Outline dimensions (mm) Wiring diagram and PC Board layout



## SRPLC

### Key Features:

- Low height 15.7mm
- 16A switching capabilities
- 5kV dielectric strength
- Creepage distance 10mm
- Sealed and unsealed types available



### Technical Specification

Contact Form	1A, 1C
Contact Material	AgSnO <sub>2</sub>
Rated Load (Resistive Load)	16A 250VAC
Max. Switching Voltage	125VDC / 440VAC
Max. Switching Power	4000VA
Coil Voltage	5 to 110VDC / 24, 115 & 230VAC
Nominal Operating Power	400mW, 0.75VA
Dimensions (L x W x H) mm	29.0 x 12.7 x 15.7
Cross Reference	Omron G2RL / Panasonic JW1/JW2/DJ Schrack RT / Fujitsu FTR-K1

### Ordering Information

**SRPLC 1A1 - T - F - L - F - 110VDC**

Contact arrangement

SPNO 5mm pin spacing	<b>1A1</b>
SPCO 5mm pin spacing	<b>1C1</b>

Coil Voltage: **110VDC**

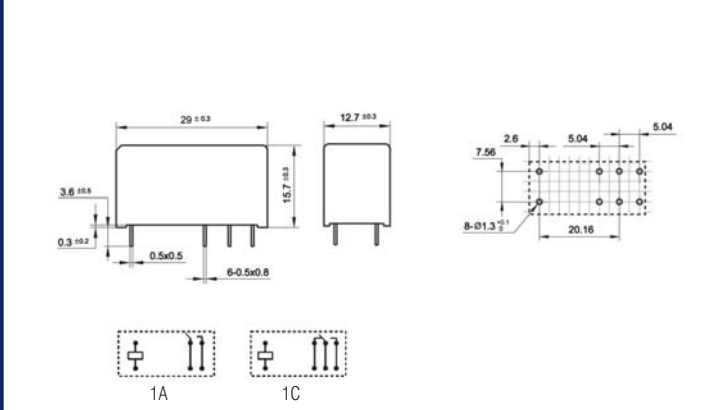
Insulation: **F** B Class; **F** F Class

**L** RoHS Compliant

Contacts: **T** AgSnO<sub>2</sub>; **T1** AgSnO<sub>2</sub> + Au plated

Sealing: **D** Dust Cover; **F** Flux Tight; **S** Sealed

### Outline dimensions (mm) Wiring diagram and PC Board layout



## SRPL

### Key Features:

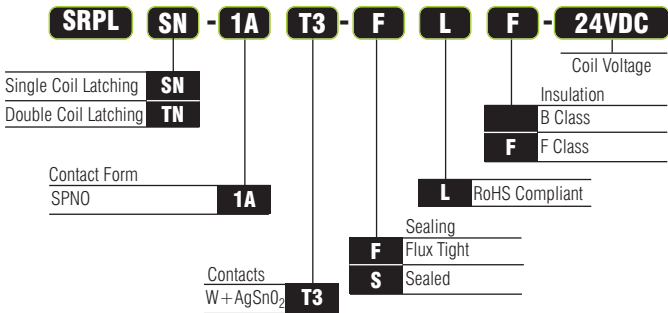
- High inrush latching relay
- 16A switching capabilities
- 5kV dielectric strength
- Special contact structure
- Incandescent lamp load: 35kW 230VAC



### Technical Specification

Contact Form	1A
Contact Material	W + AgSnO <sub>2</sub>
Rated Load (Resistive Load)	16A 250VAC 3500W 230VAC ( Incandescent lamp load)
Max. Switching Voltage	440VAC
Max. Switching Power	4000VA
Coil Voltage	5 to 24VDC
Nominal Operating Power	400mW, 600mW
Dimensions (L x W x H) mm	29.0 x 12.7 x 15.7
Cross Reference	

### Ordering Information



## ERL

### Key Features:

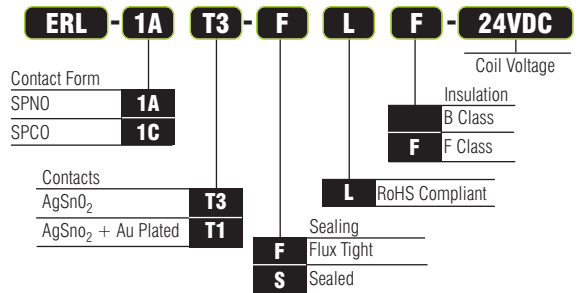
- Low height 15.7mm
- 2 pole configuration latching
- 5kV dielectric strength
- 16A switching capabilities
- Creepage distance 10mm



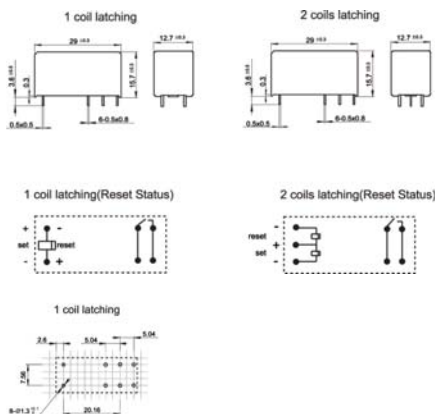
### Technical Specification

Contact Form	1A, 1C
Contact Material	AgSnO <sub>2</sub>
Rated Load (Resistive Load)	16A 250VAC
Max. Switching Voltage	440VAC / 300VDC
Max. Switching Power	4000VA
Coil Voltage	5 to 24VDC
Nominal Operating Power	400mW, 600mW
Dimensions (L x W x H) mm	29.0 x 12.7 x 15.7
Cross Reference	

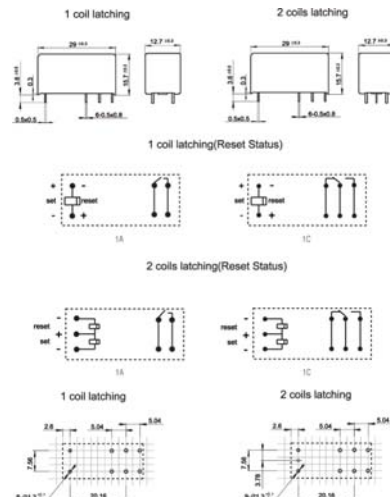
### Ordering Information



### Outline dimensions (mm) Wiring diagram and PC Board layout



### Outline dimensions (mm) Wiring diagram and PC Board layout





## SRRT

### Key Features:

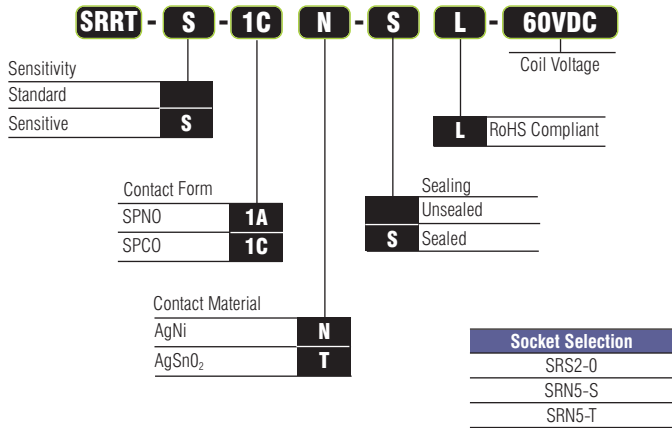
- High temperature 105°C
- Low height 15.7mm
- 16A switching capabilities
- 5kV dielectric strength
- Creepage distance 10mm
- Sealed and Unsealed types available



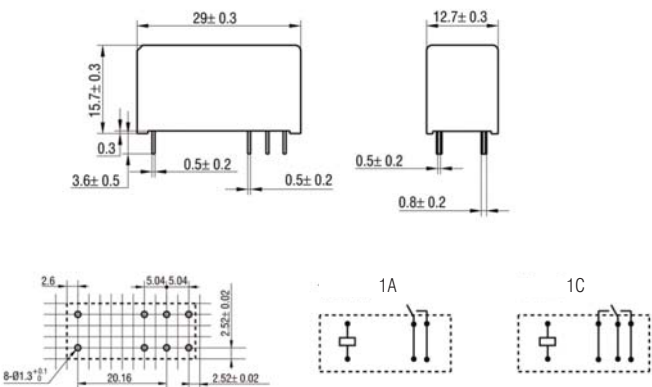
### Technical Specification

Contact Form	1A, 1C
Contact Material	AgNi, AgSnO <sub>2</sub>
Rated Load (Resistive Load)	16A 250VAC
Max. Switching Voltage	125VDC / 440VAC
Max. Switching Power	4000VA
Coil Voltage	5 to 110VDC
Nominal Operating Power	250 to 400mW
Dimensions (L x W x H) mm	29.0 x 12.7 x 15.7
Cross Reference	Schrack RTH105 Fujitsu FTR-K1 Omron G2RL

### Ordering Information



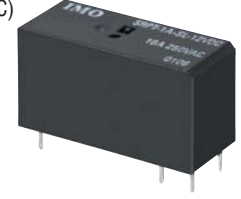
### Outline dimensions (mm) Wiring diagram and PC Board layout



## SRPT

### Key Features:

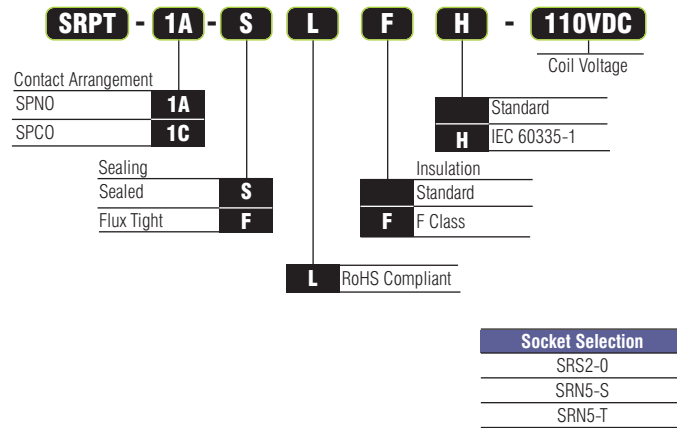
- High inrush: TV-5 80A (NO contact, at 125VAC)
- Low height 15.7mm
- 16A switching capabilities
- 5kV dielectric strength
- Creepage distance 10mm
- Sealed and Flux Tight types available



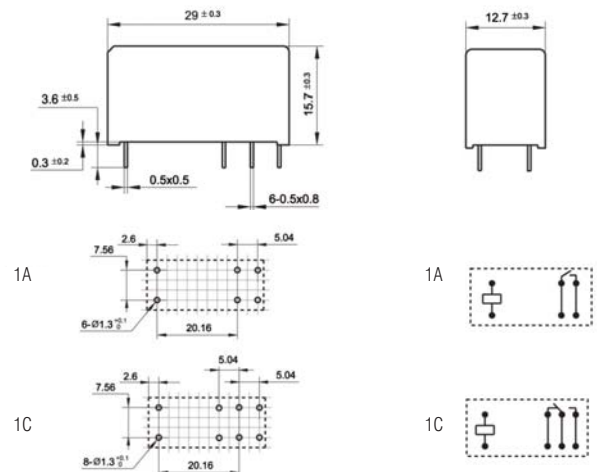
### Technical Specification

Contact Form	1A, 1C
Contact Material	AgSnO <sub>2</sub>
Rated Load (Resistive Load)	1A: 16A 250VAC TV-5 Inrush 80A (NO contact at 125VAC) 1C: 16A 250VAC
Max. Switching Voltage	125VDC / 440VAC
Max. Switching Power	4000VA
Coil Voltage	5 to 110VDC
Nominal Operating Power	400mW
Dimensions (L x W x H) mm	29.0 x 12.7 x 15.7
Cross Reference	Schrack RT1 Inrush / RX2 Fujitsu FTR-H1 Songchuan 881/888

### Ordering Information



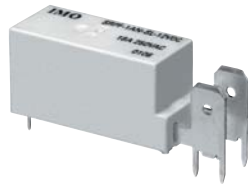
### Outline dimensions (mm) Wiring diagram and PC Board layout



## SRPF

### Key Features:

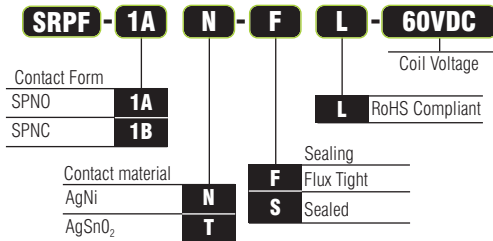
- Quick connect with low height 15.7mm
- 20A switching capabilities
- 5kV dielectric strength
- Creepage distance >8mm
- Ambient temp. up to 125°C



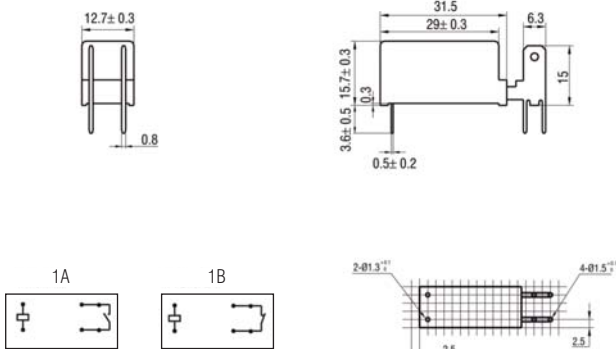
### Technical Specification

Contact Form	1A, 1B
Contact Material	AgNi, AgSnO <sub>2</sub>
Rated Load (Resistive Load)	20A 250VAC
Max. Switching Voltage	125VDC / 440VAC
Max. Switching Power	5000VA
Coil Voltage	5 to 110VDC
Nominal Operating Power	400mW
Dimensions (L x W x H) mm	41.0 x 12.7 x 15.7
Cross Reference	Schrack RF/41063 125°C

### Ordering Information



### Outline dimensions (mm) Wiring diagram and PC Board layout



## ERRP

### Key Features:

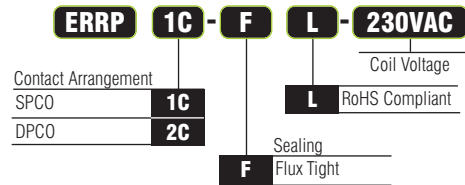
- 16A switching capabilities
- 5kV dielectric strength
- Creepage distance 8mm
- Manual test, mechanical / electrical indicator versions
- Sockets available



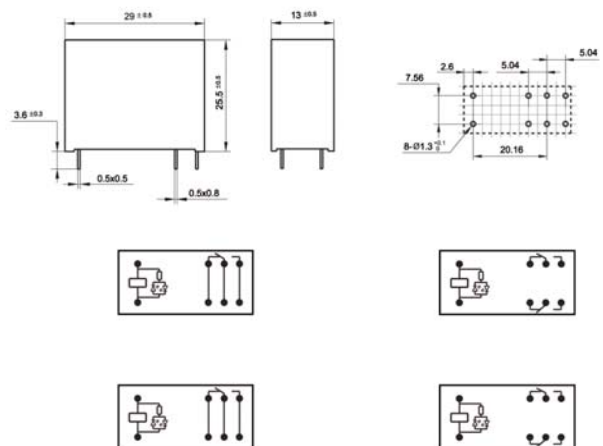
### Technical Specification

Contact Form	1C	2C
Contact Material	AgNi	
Rated Load (Resistive Load)	16A 250VAC	8A 250VAC
Max. Switching Voltage	440VAC	
Max. Switching Power	4000VA	2000VA
Coil Voltage	12 to 110VDC / 24 to 230VAC	
Nominal Operating Power	400mW, 0.75VA	
Dimensions (L x W x H) mm	29.0 x 13.0 x 25.5	
Cross Reference	Schrack XT	

### Ordering Information



### Outline dimensions (mm) Wiring diagram and PC Board layout



## ERS

### Key Features:

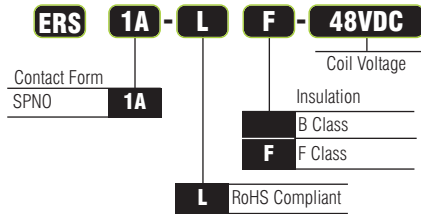
- Quick connect and PCB terminals
- 20A switching capabilities
- 5kV dielectric strength
- 10kV impulse withstand voltage
- Creepage distance 8mm



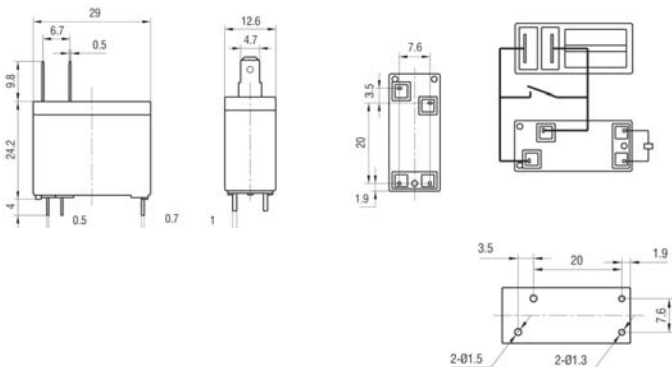
### Technical Specification

Contact Form	1A
Contact Material	AgSnO <sub>2</sub>
Rated Load (Resistive Load)	16A 250VAC/30VDC
Max. Switching Voltage	30VDC / 277VAC
Max. Switching Power	480W / 4000VA
Coil Voltage	5 to 48VDC
Nominal Operating Power	540mW
Dimensions (L x W x H) mm	29.0 x 12.6 x 24.4
Cross Reference	Omron G5J / Panasonic JR1AF Fujitsu VR / Tyco OMIF

### Ordering Information



### Outline dimensions (mm) Wiring diagram and PC Board layout



## ERP

### Key Features:

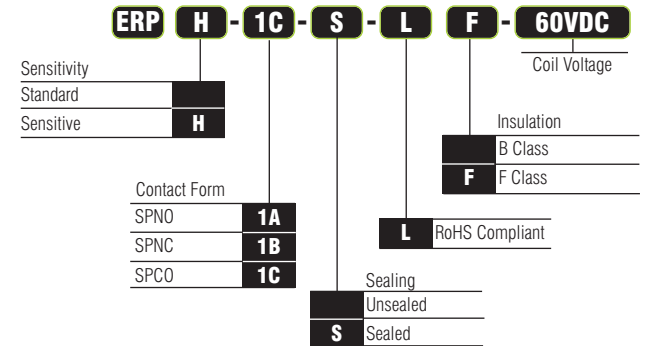
- 20A switching capabilities
- 1 pole configuration
- 4kV dielectric strength
- Sealed and Unsealed types available



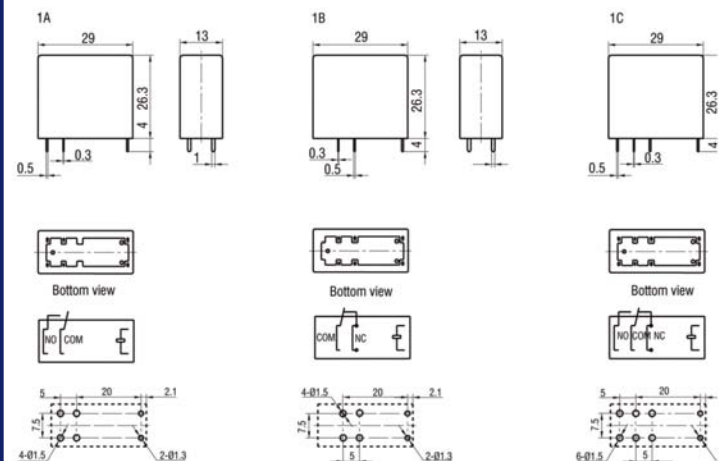
### Technical Specification

Contact Form	1A, 1B, 1C
Contact Material	AgSnO <sub>2</sub>
Rated Load (Resistive Load)	Resistive: 16A 277VAC/24VDC Motor: 1HP 240VAC
Max. Switching Voltage	30VDC / 277VAC
Max. Switching Power	480W / 5540VA
Coil Voltage	5 to 60VDC
Nominal Operating Power	530 to 720mW
Dimensions (L x W x H) mm	29.0 x 13.0 x 26.5
Cross Reference	Omron G2R / Panasonic JR1AF Fujitsu FBR610 Tyco RKA/RKS

### Ordering Information



### Outline dimensions (mm) Wiring diagram and PC Board layout



## ERK

### Key Features:

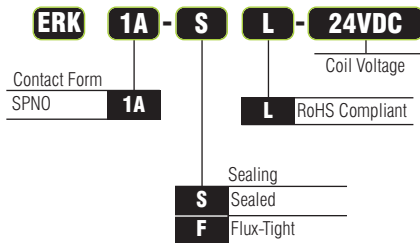
- 20A switching capabilities
- Quick connect and PCB terminals
- 5kV dielectric strength available



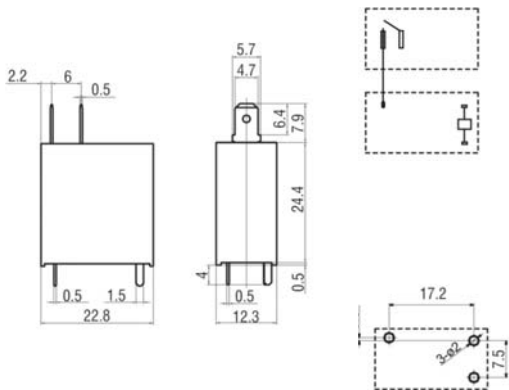
### Technical Specification

Contact Form	1A
Contact Material	AgSnO <sub>2</sub>
Rated Load (Resistive Load)	20A 250VAC Motor: 1.5HP 250VAC
Max. Switching Voltage	30VDC / 250VAC
Max. Switching Power	480W / 5000VA
Coil Voltage	5 to 24VDC
Nominal Operating Power	500mW
Dimensions (L x W x H) mm	22.8 x 12.3 x 24.4
Cross Reference	Omron G5G Panasonic LE

### Ordering Information



### Outline dimensions (mm) Wiring diagram and PC Board layout



## SRW

### Key Features:

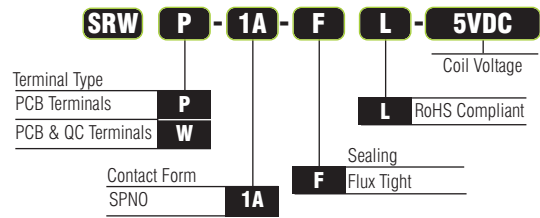
- Heavy load up to 5000VA
- Ideal for motor switching
- Withstand inrush current of 80A
- Quick connect and PCB terminals



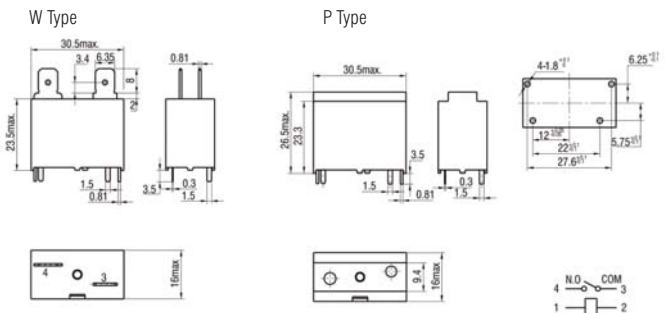
### Technical Specification

Contact Form	1A
Contact Material	AgSnO <sub>2</sub>
Rated Load (Resistive Load)	20A 250VAC Motor: 2HP 240VAC
Max. Switching Voltage	250VAC
Max. Switching Power	6250VA
Coil Voltage	5 to 48VDC
Nominal Operating Power	900mW
Dimensions (L x W x H) mm	30.5 x 16.0 x 23.5
Cross Reference	Omron G4A Panasonic LF Tyco PCFN

### Ordering Information



### Outline dimensions (mm) Wiring diagram and PC Board layout



## ERY

### Key Features:

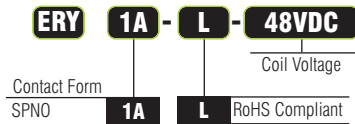
- 20A switching capabilities
- SPNO configuration
- 4.5kV dielectric strength
- Quick connect PCB terminals
- Heavy load up to 6250VA
- Ideal for motor switching



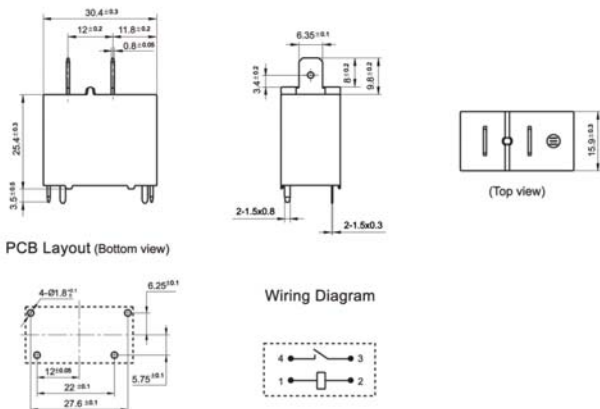
### Technical Specification

Contact Form	1A
Contact Material	AgSnO <sub>2</sub>
Rated Load (Resistive Load)	20A 250VAC Motor: 2HP 240VAC
Max. Switching Voltage	250VAC
Max. Switching Power	6250VA
Coil Voltage	5 to 48VDC
Nominal Operating Power	900mW
Dimensions (L x W x H) mm	30.4 x 15.9 x 25.4
Cross Reference	Omron G4F / Panasonic JM Fujitsu FTR-K3 / Tyco PCF

### Ordering Information



### Outline dimensions (mm) Wiring diagram and PC Board layout



## SRG

### Key Features:

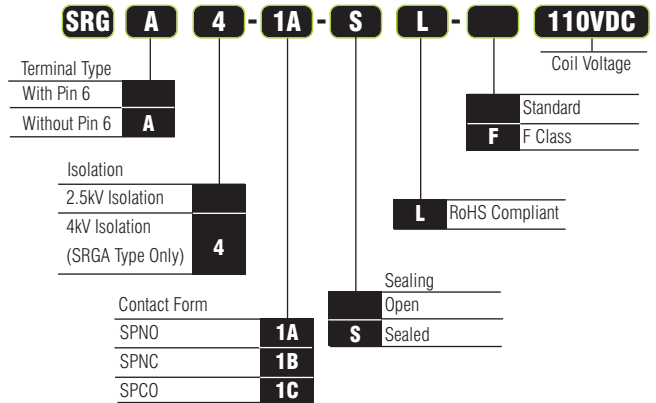
- 40A switching capabilities
- Ideal for heavy duty load
- 4kV dielectric strength
- Heavy load up to 7200VA
- Sealed and Unsealed types available
- AC coil versions available



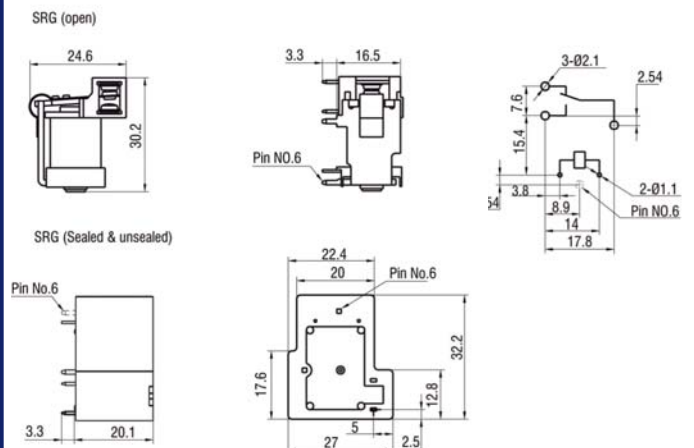
### Technical Specification

Contact Form	1A, 1B, 1C
Contact Material	AgSnO <sub>2</sub>
Rated Load (Resistive Load)	1A: 30A 240VAC / 20A 28VDC 1B: 15A 240VAC / 10A 28VDC 1C: 20A/10A 28VDC/240VAC
Max. Switching Voltage	28VDC / 277VAC
Max. Switching Power	560W / 7200VA
Coil Voltage	5 to 110VDC / 12 to 277VAC
Nominal Operating Power	900mW, 2.0VA
Dimensions (L x W x H) mm	32.3 x 27.0 x 20.1
Cross Reference	Omron G8P / Panasonic JTN/JTV Tyco T9A/T90 OEG ORU

### Ordering Information



### Outline dimensions (mm) Wiring diagram and PC Board layout



## ERD

### Key Features:

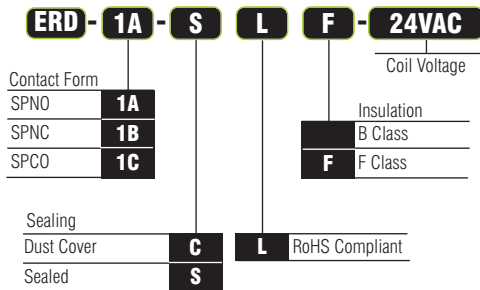
- 40A switching capabilities
- Ideal for heavy duty load
- 4kV dielectric strength
- Heavy load up to 7200VA
- Sealed and dust protected types available
- Class B & F insulation system



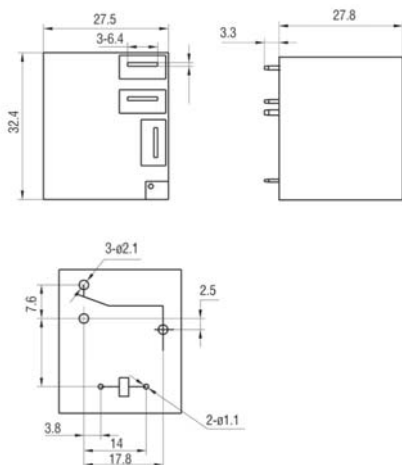
### Technical Specification

Contact Form	1A, 1B, 1C
Contact Material	AgSnO <sub>2</sub>
Rated Load (Resistive Load)	1A: 30A 240VAC / 20A 28VDC 1B: 15A 240VAC / 10A 28VDC 1C: 20A/10A 28VDC/240VAC
Max. Switching Voltage	28VDC / 277VAC
Max. Switching Power	560W / 7200VA
Coil Voltage	5 to 110VDC / 12 to 230VAC
Nominal Operating Power	900mW, 2.0VA
Dimensions (L x W x H) mm	32.4 x 27.5 x 27.8
Cross Reference	Omron G7G/G8P / Panasonic JT Tyco T9A OEG ORU

### Ordering Information



### Outline dimensions (mm) Wiring diagram and PC Board layout



## ERG

### Key Features:

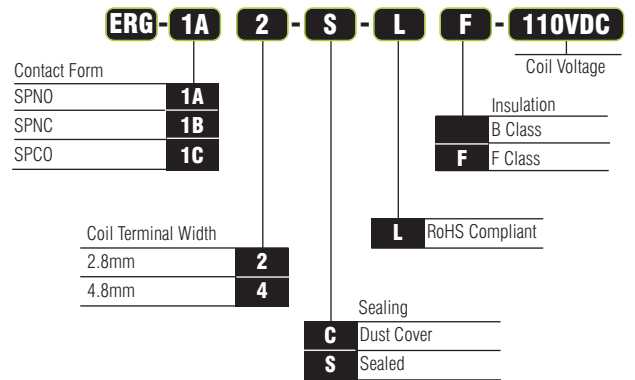
- 40A switching capabilities
- 2.5kV dielectric strength
- Heavy load up to 7200VA
- Class B & F insulation system
- Sealed and dust protected types available



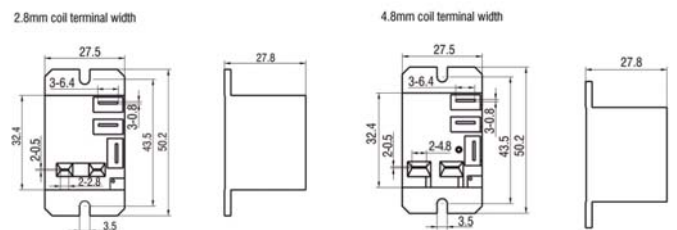
### Technical Specification

Contact Form	1A, 1B, 1C
Contact Material	AgSnO <sub>2</sub>
Rated Load (Resistive Load)	1A: 30A 240VAC / 20A 28VDC 1B: 15A 240VAC / 10A 28VDC 1C: 20A/10A 28VDC/240VAC
Max. Switching Voltage	28VDC / 277VAC
Max. Switching Power	560W / 7200VA
Coil Voltage	5 to 110VDC / 12 to 230VAC
Nominal Operating Power	900mW, 2.0VA
Dimensions (L x W x H) mm	50.0 x 27.2 x 27.8
Cross Reference	Omron G7G/G8P / Panasonic JT Tyco T9A OEG ORU

### Ordering Information



### Outline dimensions (mm) Wiring diagram and PC Board layout



## ERH

### Key Features:

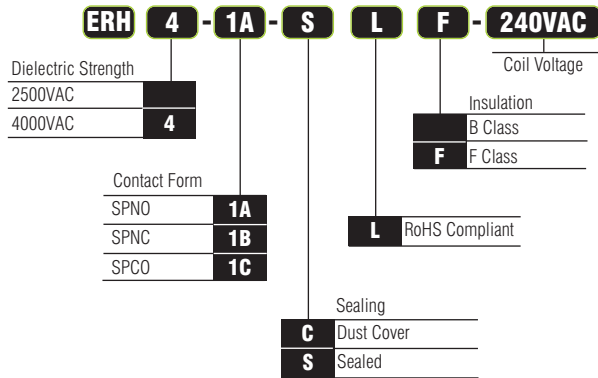
- 40A switching capabilities
- 2.5kV dielectric strength
- Heavy load up to 7200VA
- Class B & F insulation system
- Quick connect and PCB terminals
- Sealed and dust protected types available



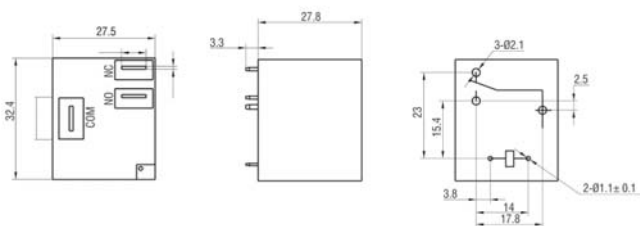
### Technical Specification

Contact Form	1A, 1B, 1C
Contact Material	AgSnO <sub>2</sub>
Rated Load (Resistive Load)	1A: 30A 240VAC / 20A 28VDC 1B: 15A 240VAC / 10A 28VDC 1C: 20A/10A 28VDC/240VAC
Max. Switching Voltage	250VAC
Max. Switching Power	560W / 7200VA
Coil Voltage	5 to 110VDC / 12 to 277VAC
Nominal Operating Power	900mW, 2.0VA
Dimensions (L x W x H) mm	32.4 x 27.3 x 27.8
Cross Reference	Omron G7G/G8P / Panasonic JTN Tyco T9A/T90 OEG ORU

### Ordering Information



### Outline dimensions (mm) Wiring diagram and PC Board layout



## ERJ

### Key Features:

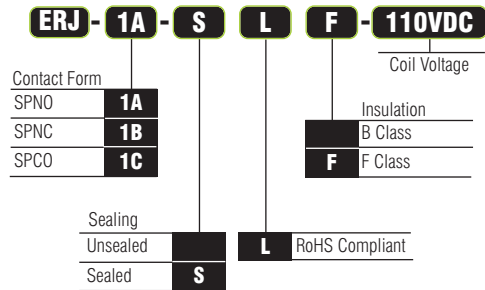
- 40A switching capabilities
- Cadmium contacts see ERD for alternative
- 2.5kV dielectric strength
- Heavy load up to 7200VA
- Quick connect and PCB terminals
- Sealed and Unsealed types available



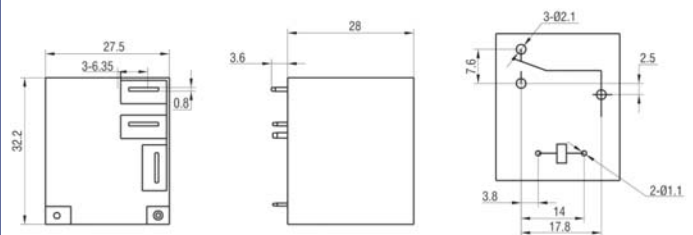
### Technical Specification

Contact Form	1A, 1B, 1C
Contact Material	AgCdO
Rated Load (Resistive Load)	1A: 30A 240VAC / 20A 30VDC 1B: 15A 240VAC / 10A 30VDC 1C: 20A/10A 30VDC/240VAC
Max. Switching Voltage	30VDC / 277VAC
Max. Switching Power	600W / 7200VA
Coil Voltage	5 to 110VDC
Nominal Operating Power	900mW
Dimensions (L x W x H) mm	32.0 x 27.5 x 28.0
Cross Reference	Omron G7G / Panasonic JT Zettler AZ2100 Tyco T9A

### Ordering Information



### Outline dimensions (mm) Wiring diagram and PC Board layout



## SRF

### Key Features:

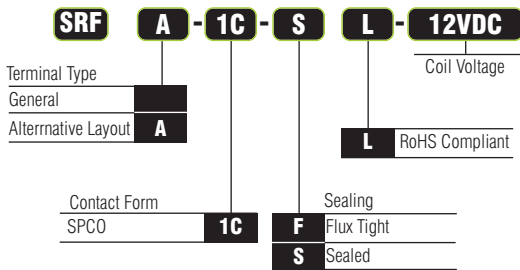
- 5A switching capability
- SPCO configuration
- Compact and light weight
- Fully sealed
- Alternative footprint



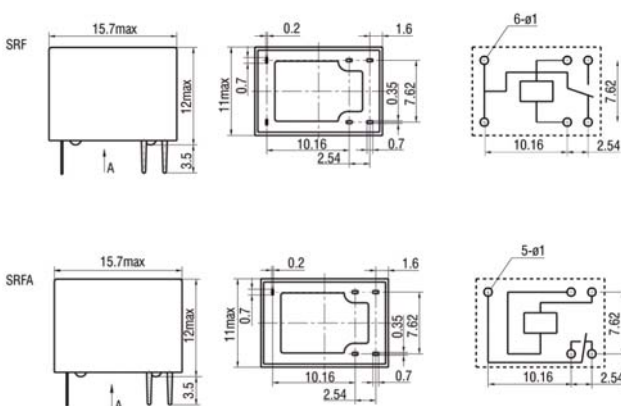
### Technical Specification

Contact Form	1C
Contact Material	AgNi
Rated Load (Resistive Load)	1A 120VAC, 1A 125VAC/30VDC, 1A 240VAC/30VDC, 2A 125VAC, 3A 120VAC, 5A 120VAC
Max. Switching Voltage	30VDC / 240VAC
Max. Switching Power	30W / 240VA
Coil Voltage	3 to 24VDC
Nominal Operating Power	200mW
Dimensions (L x W x H) mm	15.7 x 11.0 x 12.0
Cross Reference	Omron G2E Fujitsu FBR211 Tyco V23101

### Ordering Information



### Outline dimensions (mm) Wiring diagram and PC Board layout



## ERU

### Key Features:

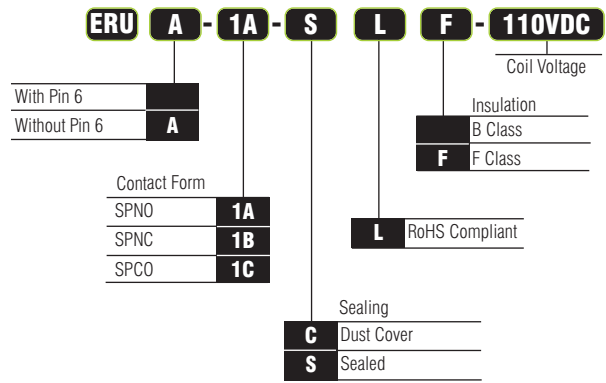
- 40A switching capabilities
- Cadmium contacts see ERD for alternative
- 2.5kV dielectric strength
- Heavy load up to 7200VA
- Class B & F insulation system



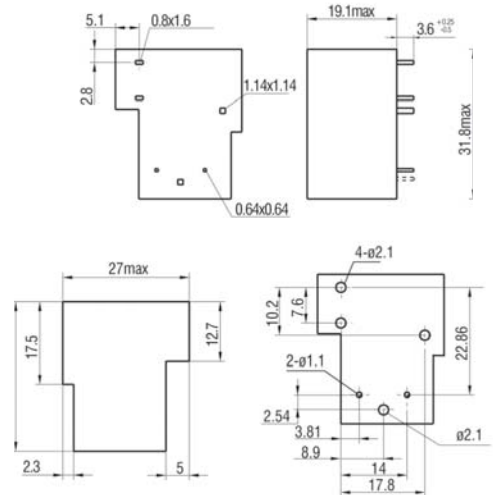
### Technical Specification

Contact Form	1A, 1B, 1C
Contact Material	AgCdO
Rated Load (Resistive Load)	1A: 30A 240VAC / 20A 30VDC 1B: 15A 240VAC / 10A 30VDC 1C: 20A/10A 30VDC/240VAC
Max. Switching Voltage	30VDC / 277VAC
Max. Switching Power	600W / 7200VA
Coil Voltage	5 to 110VDC
Nominal Operating Power	900mW
Dimensions (L x W x H) mm	31.8 x 27.0 x 19.1
Cross Reference	Omron G7G / Panasonic JTN/JTV Zettler AZ2150 / AZ2151 Tyco T9A/T90

### Ordering Information



### Outline dimensions (mm) Wiring diagram and PC Board layout





## ERW

### Key Features:

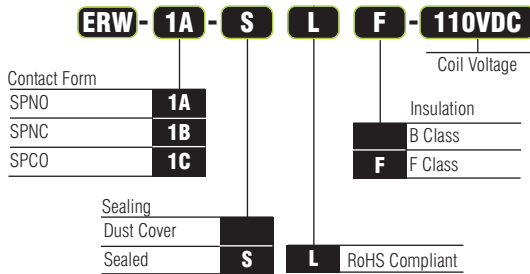
- 40A switching capabilities
- 2.5kV dielectric strength
- Heavy load up to 7200VA
- Class B & F insulation system
- Quick connect and PCB terminals
- Sealed and dust protected versions available



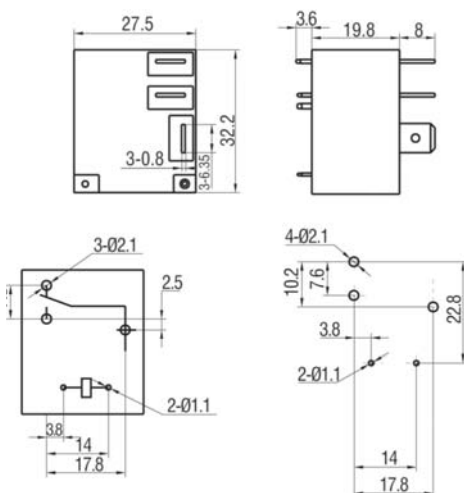
### Technical Specification

Contact Form	1A, 1B, 1C
Contact Material	AgCdO
Rated Load (Resistive Load)	1A: 30A 240VAC / 20A 30VDC 1B: 15A 240VAC / 10A 30VDC 1C: 20A/10A 30VDC/240VAC
Max. Switching Voltage	30VDC / 277VAC
Max. Switching Power	600W / 7200VA
Coil Voltage	5 to 110VDC
Nominal Operating Power	900mW
Dimensions (L x W x H) mm	32.0 x 27.5 x 19.8
Cross Reference	Panasonic JT Zettler AZ2160 Tyco T9A/T90

### Ordering Information



### Outline dimensions (mm) Wiring diagram and PC Board layout



## FY

### Key Features:

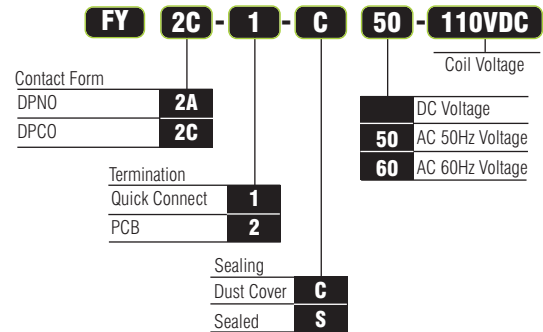
- 30A switching capabilities
- DPNO & DPCO configurations
- 4kV dielectric strength
- Sealed and dust protected versions available
- Creepage distance 8mm



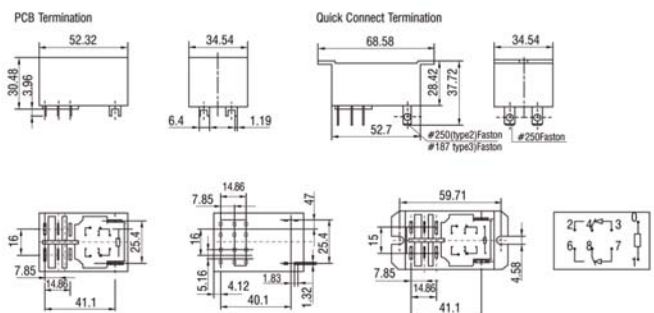
### Technical Specification

Contact Form	2A, 2C
Contact Material	AgSnO <sub>2</sub>
Rated Load (Resistive Load)	2A: 30A 250VAC / 30A 277VAC 2C: 3A 250VAC / 3A 277VAC
Max. Switching Voltage	277VAC
Max. Switching Power	8310VA
Coil Voltage	5 to 110VDC, 24 to 277VAC
Nominal Operating Power	4.0VA, 1700mW
Dimensions (L x W x H) mm	52.0 x 33.7 x 19.3
Cross Reference	Schrack T92

### Ordering Information



### Outline dimensions (mm) Wiring diagram and PC Board layout



## SRL

### Key Features:

- Switching capability up to 20A
- 6 different contact arrangements
- Open and sealed types available
- PCB terminals



### Technical Specification

Contact Form	1A, 1B, 1C, 1U, 1V, 1W
Contact Material	AgSnO <sub>2</sub> , AgNi
Rated Load (Resistive Load)	1A: 15A 13VDC 1B:10A 13.5VDC 1C: 10A 13.5VDC 1C:NO/NC 15A/10A 13.5VDC 1U: 2x10A 13.5VDC 1V: 2x7A13.5VDC 1W: NO/NC 2x7A 2x5A 13.5VDC
Max. Switching Voltage	90VDC
Max. Switching Power	
Coil Voltage	6 to 24VDC
Nominal Operating Power	1.1W
Dimensions (L x W x H) mm	17.5 x 15.0 x 19.5 (Sealed)
Cross Reference	Tyco V23072

## SRA

### Key Features:

- Compact and light weight
- Single and Twin relays
- Switching capability up to 25A
- Fully sealed



### Technical Specification

Contact Form	1C, 2C
Contact Material	AgSnO <sub>2</sub> , AgNi
Rated Load (Resistive Load)	25A 13.5VDC
Max. Switching Voltage	40VDC
Max. Switching Power	
Coil Voltage	12VDC
Nominal Operating Power	0.56W, 0.81W
Dimensions (L x W x H) mm	17.5 x 16.9 13.2 (Twin)
Cross Reference	Tyco V23084-C

### Ordering Information

**SRL-1A T 3-S L-24VDC**

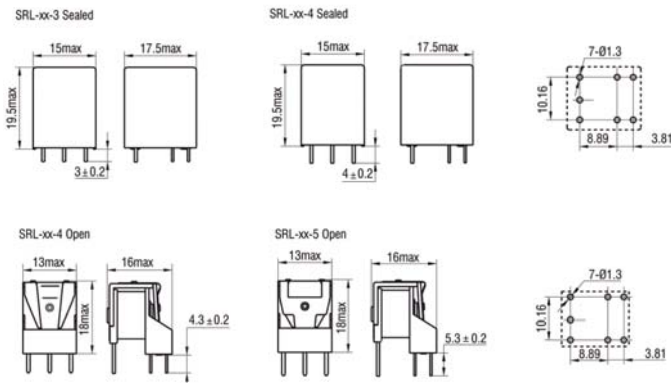
Contact Form	<b>1A</b>			Coil Voltage
SPNO	<b>1A</b>			
SPNC	<b>1B</b>		<b>L</b> RoHS Compliant	
SPCO	<b>1C</b>			
DPNO	<b>1U</b>			Sealing
DPNC	<b>1V</b>			Open
DPCO	<b>1W</b>			<b>S</b> Sealed
Contact Material			Pin Length	
AgSnO <sub>2</sub>	<b>T</b>	<b>3</b>	3.0mm (Sealed types only)	
AgNi	<b>N</b>	<b>4</b>	4.3mm (Open types only)	
		<b>4</b>	4.0mm (Sealed types only)	
		<b>5</b>	5.3mm (Open types only)	

### Ordering Information

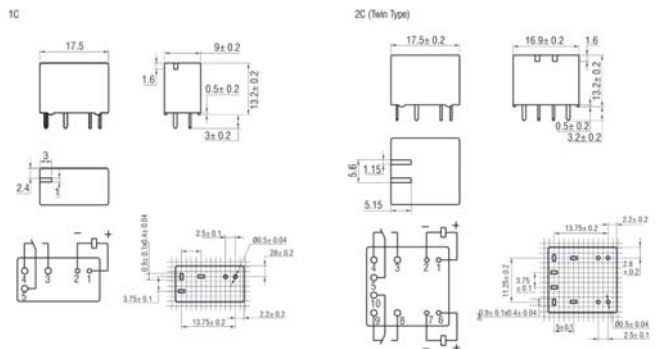
**SRA L-1C T-S L-12VDC**

Pick-Up Voltage				Coil Voltage
Standard				
Low Pick-up	<b>L</b>			
Contact Form				Sealing
SPCO		<b>1C</b>		<b>S</b> Sealed
2 x SPCO		<b>2C</b>		
Contact Material				
		<b>N</b>	AgNi	
		<b>T</b>	AgSnO <sub>2</sub>	

### Outline dimensions (mm) Wiring diagram and PC Board layout



### Outline dimensions (mm) Wiring diagram and PC Board layout



## SRE

### Key Features:

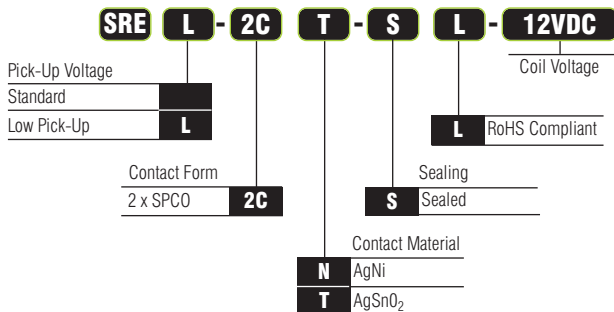
- Compact and light weight
- Twin relays
- Switching capability up to 25A
- Fully sealed



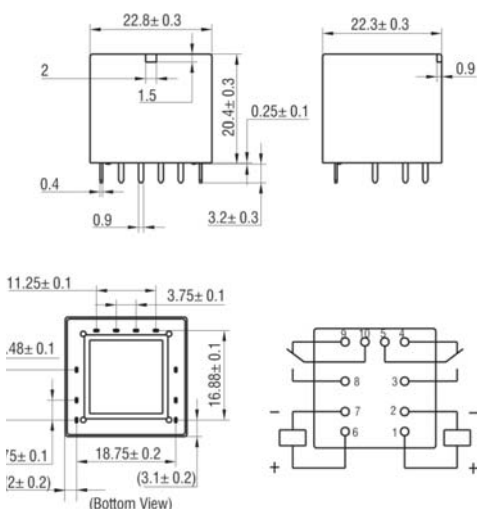
### Technical Specification

Contact Form	2C
Contact Material	AgSnO <sub>2</sub> , AgNi
Rated Load (Resistive Load)	25A 13.5VDC
Max. Switching Voltage	40VDC
Max. Switching Power	
Coil Voltage	12VDC
Nominal Operating Power	0.56W, 0.81W
Dimensions (L x W x H) mm	22.8 x 22.3 x 20.4
Cross Reference	Tyco V23084

### Ordering Information



### Outline dimensions (mm) Wiring diagram and PC Board layout



## ERC

### Key Features:

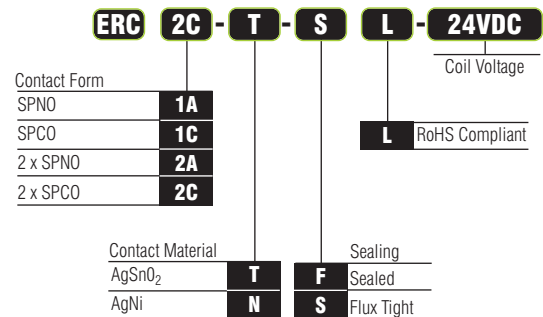
- Subminiature relay
- Low weight (single relay 4g)
- Single & twin relays
- Maximum switching current 30A
- Sealed and Flux-tight options



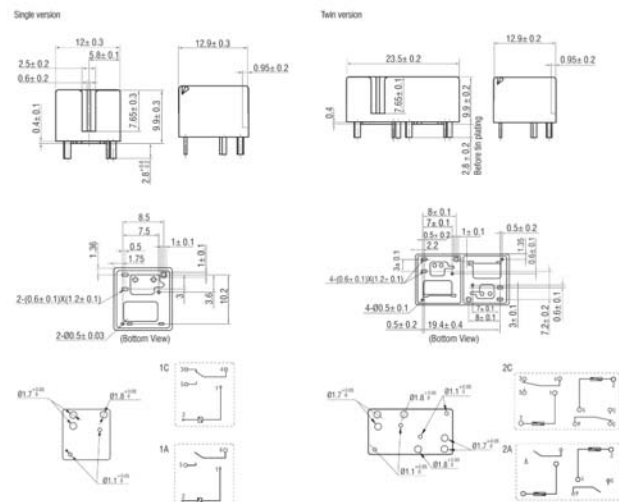
### Technical Specification

Contact Form	1A, 1C, 2A, 2C
Contact Material	AgSnO <sub>2</sub> , AgNi
Rated Load (Resistive Load)	20A 13.5VDC
Max. Switching Voltage	16VDC
Max. Switching Power	
Coil Voltage	6 to 24VDC
Nominal Operating Power	0.55W, 0.8W
Dimensions (L x W x H) mm	23.5 x 12.9 x 9.9 (Twin)
Cross Reference	Panasonic CP Tyco V23086

### Ordering Information



### Outline dimensions (mm) Wiring diagram and PC Board layout



## ERA

### Key Features:

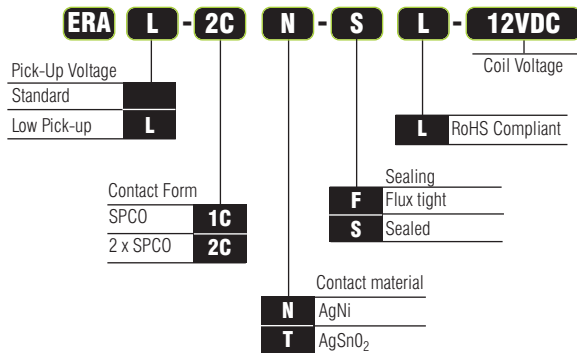
- 25A motor lock load
- Extremely small relay
- Low pick-up types available
- Single & twin relays



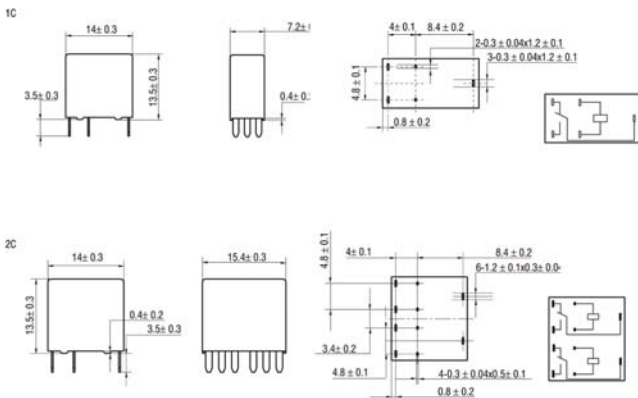
### Technical Specification

Contact Form	1C, 2C
Contact Material	AgSnO <sub>2</sub>
Rated Load (Resistive Load)	Motor: 25A 13.5VDC
Max. Switching Voltage	16VDC
Max. Switching Power	
Coil Voltage	12VDC
Nominal Operating Power	0.64W, 0.8W
Dimensions (L x W x H) mm	14.0 x 15.4 x 13.5 (Twin Version)
Cross Reference	Single Relay: Omron G8N-1 Twin Relay: Omron G8NW

### Ordering Information



### Outline dimensions (mm) Wiring diagram and PC Board layout



## SRMA

### Key Features:

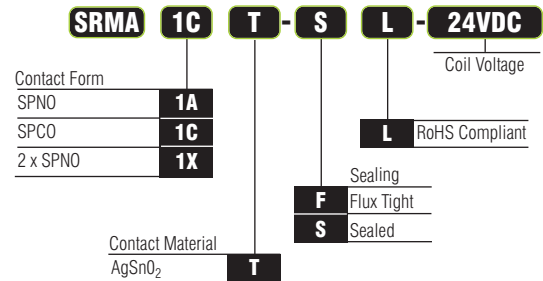
- High current capacity
- Switching capacity up to 35A (at 23°C)
- Improved heat resistance
- Extended operation range
- High resistance to vibration and shock



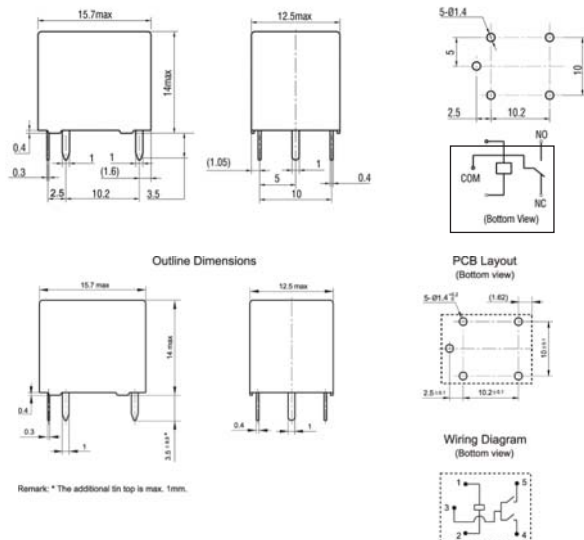
### Technical Specification

Contact Form	1A, 1C	1X
Contact Material	AgSnO <sub>2</sub>	
Rated Load (Resistive Load)	20A 13.5VDC 30A 13.5VDC	2x 6A 13.5VDC
Max. Switching Voltage	30VDC	
Max. Switching Power		
Coil Voltage	6, 9, 10, 12, 24VDC	
Nominal Operating Power	0.6W	1.0W
Dimensions (L x W x H) mm	15.7 x 12.5 x 14.0	
Cross Reference	Omron G8QN Panasonic JJM Fujitsu FBR51/52	

### Ordering Information



### Outline dimensions (mm) Wiring diagram and PC Board layout



## SRK

### Key Features:

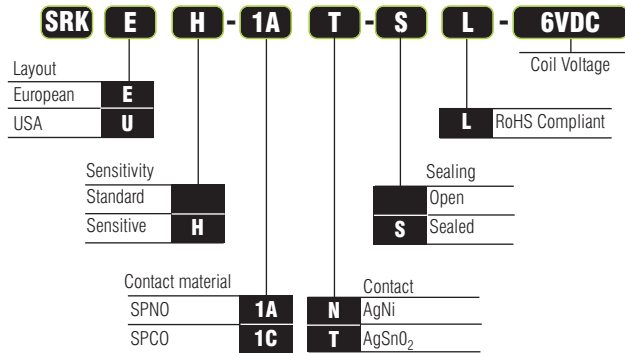
- Switching capacity up to 45A
- SPNO and SPCO contact forms
- Two pin layout choices
- Open or fully sealed types available



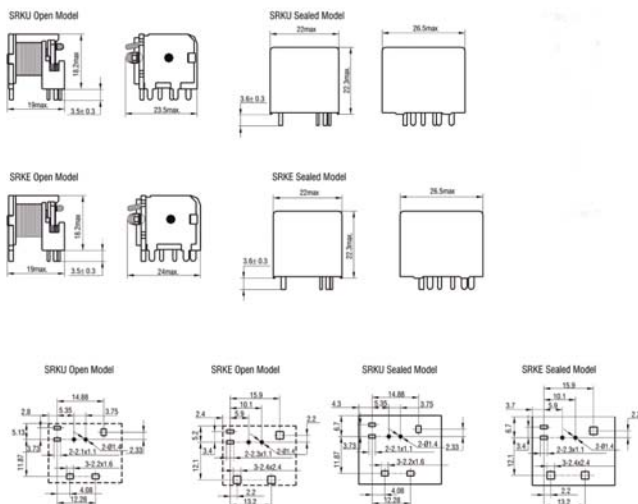
### Technical Specification

Contact Form	1A, 1C
Contact Material	AgSnO <sub>2</sub> , AgNi
Rated Load (Resistive Load)	1A: 45A 13.5VDC 1C: NO/NC 45A/30A 13.5VDC
Max. Switching Voltage	75VDC
Max. Switching Power	
Coil Voltage	6, 12, 24VDC
Nominal Operating Power	1.2W, 1.6W, 1.9W
Dimensions (L x W x H) mm	26.5 x 22.0 x 22.3 (Sealed)
Cross Reference	Omron G8PE Tyco V23076/V23133 Fujitsu FRL274

### Ordering Information



### Outline dimensions (mm) Wiring diagram and PC Board layout



## SRZ

### Key Features:

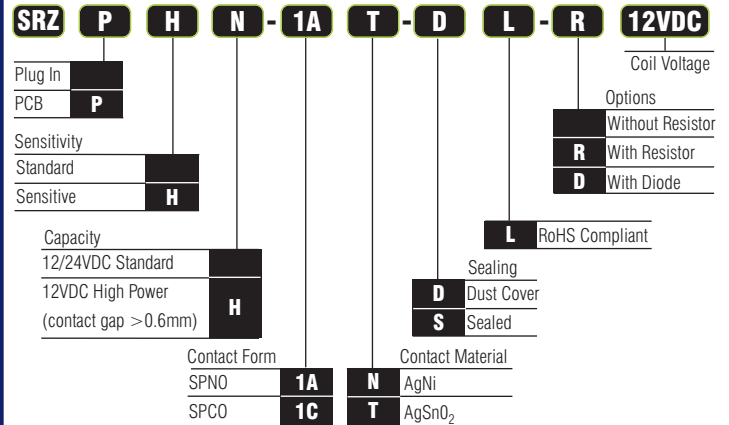
- 30A switching capability
- Ambient temperature -40°C to 125°C
- SPNO and SPCO contact forms
- Sealed and dust cover options
- Optional parallel diode or transient suppression resistor



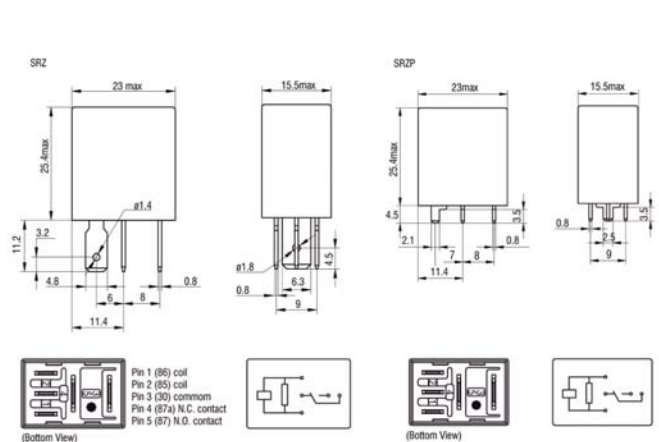
### Technical Specification

Contact Form	1A, 1C
Contact Material	AgSnO <sub>2</sub> , AgNi
Rated Load (Resistive Load)	1A: 30A 13.5VDC 20A 27VDC 1C: NO/NC 20A/10A 13.5VDC 20A/10A 27VDC
Max. Switching Voltage	27VDC
Max. Switching Power	
Coil Voltage	12, 24VDC
Nominal Operating Power	1.2W, 1.3W, 1.4W, 1.6W, 1.8W
Dimensions (L x W x H) mm	23.0 x 15.5 x 25.4
Cross Reference	Omron G8HN Panasonic CM Tyco V23074-A

### Ordering Information



### Outline dimensions (mm) Wiring diagram and PC Board layout



## SRJ

### Key Features:

- 40A switching capability
- Various mounting terminations available
- SPNO and SPCO contact forms
- Sealed and dust cover options
- Optional parallel diode or resistor



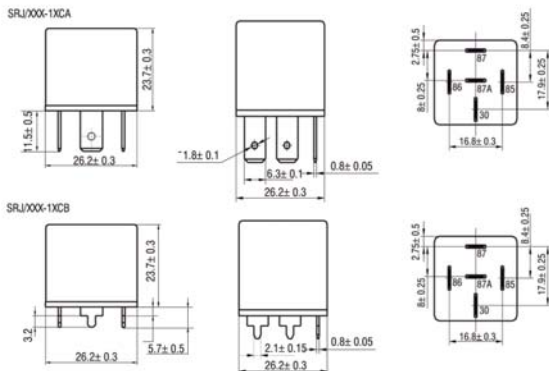
### Technical Specification

Contact Form	1A, 1C
Contact Material	AgSnO <sub>2</sub> , AgNi
Rated Load (Resistive Load)	1A: 40A 1.5VDC 20A 27VDC 1C: NO/NC 20A/10A 13.5VDC 20A/10 27VDC
Max. Switching Voltage	80VDC
Max. Switching Power	
Coil Voltage	6, 12, 24VDC
Nominal Operating Power	1.6W, 1.7W, 1.8W, 1.9W
Dimensions (L x W x H) mm	26.2 x 26.2 x 23.7
Cross Reference	Omron G8JN Panasonic CB Tyco V23134-A/B, V23234-A/B

### Ordering Information

<b>SRJ</b>		<b>H</b>		<b>- 1A</b>		<b>C</b>		<b>-</b>		<b>R</b>		<b>- 12VDC</b>	
Capacity		Standard (AgNi)		High Power (AgSnO <sub>2</sub> )		Contact Form		SPNO		SPCO		Construction	
		<b>H</b>		<b>1A</b>		<b>1C</b>		<b>CA</b>		<b>CB</b>		<b>S</b>	
		Standard		Parallel resistor (6V-180Ω, 12V-680Ω, 24V-2700Ω)		Parallel diode (anode pin 86)		Parallel diode (anode pin 85)		Standard		Sealed	

### Outline dimensions (mm) Wiring diagram and PC Board layout



Please refer to the full technical datasheet for the outline dimensions and wiring diagrams.

## SRNH50/70

### Key Features:

- 50/70A switching capability
- Ambient temperature -40°C to 125°C
- Optional transient suppression resistor
- SPNO and SPCO contact forms
- Sealed and dust cover options



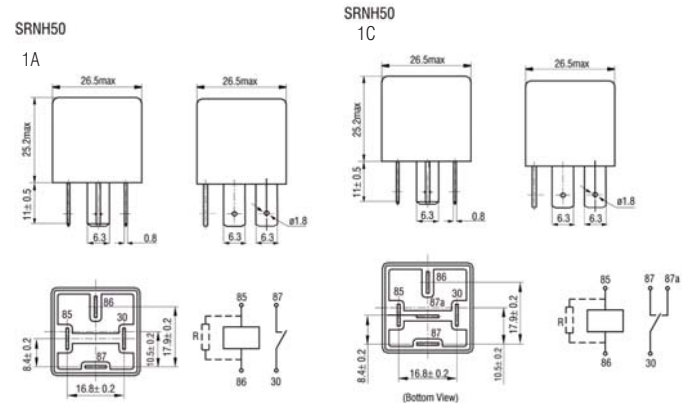
### Technical Specification

Contact Form	1A, 1C
Contact Material	AgSnO <sub>2</sub>
Rated Load (Resistive Load)	1A: 50A 13.5VDC 40A 27VDC 1C: NO/NC 50A/30A 13.5VDC 40A/10A 27VDC 70A 13.5VDC 40A 27VDC
Max. Switching Voltage	50VDC
Max. Switching Power	
Coil Voltage	6, 12, 24VDC
Nominal Operating Power	1.6W, 1.8W, 2.0W, 2.2W
Dimensions (L x W x H) mm	26.2 x 26.2 x 25
Cross Reference	Omron G8JR Panasonic CB Tyco V23134-J / V23169-J

### Ordering Information

<b>SRN</b>		<b>H50</b>		<b>- 1C</b>		<b>T</b>		<b>- D</b>		<b>L</b>		<b>R</b>		<b>- 12VDC</b>	
50 Amps Standard Power		<b>H50</b>		70 Amps Standard Power		<b>H70</b>		50 Amps High Power		<b>P50</b>		70 Amps High Power		<b>P70</b>	
		Standard		Parallel resistor (6V-180Ω, 12V-680Ω, 24V-2700Ω)		RoHS Compliant									
Contact Form		SPNO		SPCO (SRNH50 only)		<b>1A</b>		<b>1C</b>		Sealing		<b>D</b> Dust Cover		<b>S</b> Sealed	
												<b>D1</b> Dust Cover / Plastic Bracket		<b>D2</b> Dust Cover / Steel Bracket	
Contact Material		AgNi		AgSnO <sub>2</sub>		<b>N</b>		<b>T</b>		<b>S1</b> Sealed / Plastic Bracket		<b>S2</b> Sealed / Steel Bracket			

### Outline dimensions (mm) Wiring diagram and PC Board layout



Please refer to the full technical datasheet for the outline dimensions and wiring diagrams for the SRNH70, SRNH50 Pastic bracket, SRNH50 Metal bracket, SRNH70 Plastic bracket & SRNH70 Metal Bracket

## EPR

### Key Features:

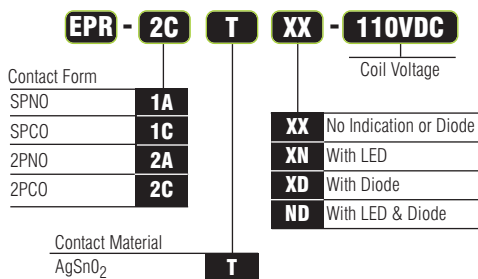
- Switching capacity up to 8A
- 5kV dielectric strength between coil and contacts
- LED indicator
- Diode available for DC type
- PCB & Quick Connect types available



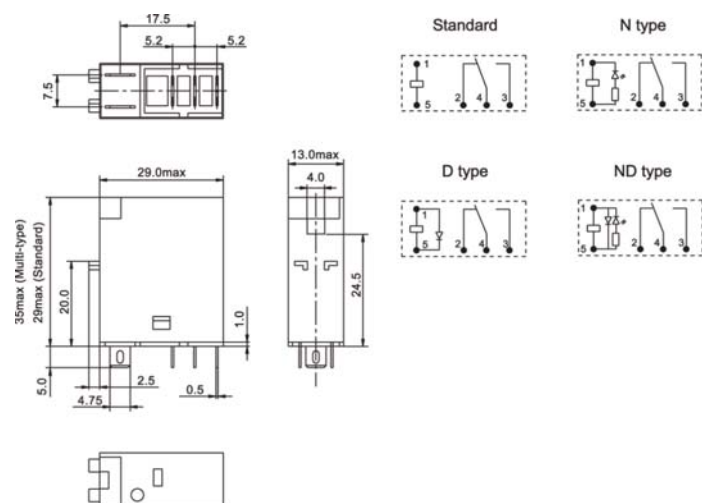
### Technical Specification

Contact Form	1A, 1C	2A, 2C
Contact Material	AgSnO <sub>2</sub>	
Rated Load (Resistive Load)	10A 250VAC / 30VDC	5A 250VAC / 30VDC
Max. Switching Voltage	30VDC / 250VAC	
Max. Switching Power	300W / 2500VA	150W / 1250VA
Coil Voltage	6 to 110VDC / 12 to 240VAC	
Nominal Operating Power	530mW	
Dimensions (L x W x H) mm	29.0 x 13.0 x 29.0	
Cross Reference	Omron G2R-SN	

### Ordering Information



### Outline dimensions (mm) Wiring diagram and PC Board layout



## ERRP

### Key Features:

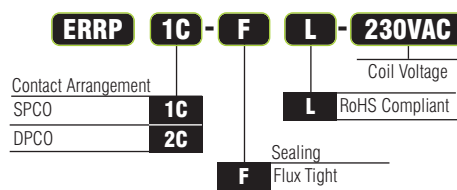
- 16A switching capabilities
- 5kV dielectric strength
- Creepage distance 8mm
- Manual test, mechanical / electrical indicator versions
- Sockets available



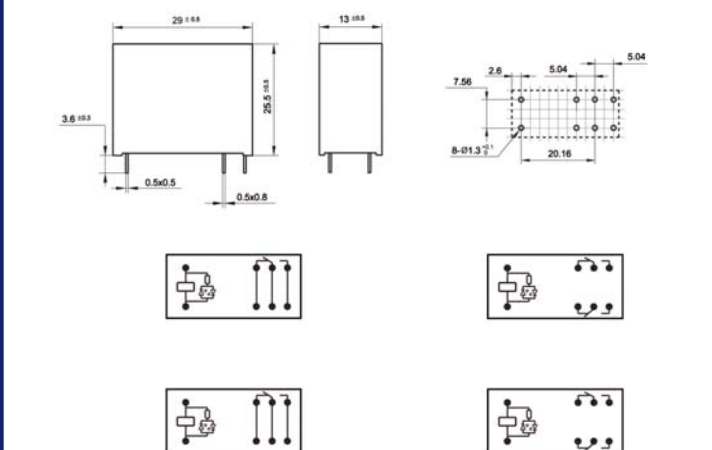
### Technical Specification

Contact Form	1C	2C
Contact Material	AgNi	
Rated Load (Resistive Load)	16A 250VAC	8A 250VAC
Max. Switching Voltage	440VAC	
Max. Switching Power	4000VA	2000VA
Coil Voltage	12 to 110VDC / 24 to 230VAC	
Nominal Operating Power	400mW, 0.75VA	
Dimensions (L x W x H) mm	29.0 x 13.0 x 25.5	
Cross Reference	Schrack XT	

### Ordering Information



### Outline dimensions (mm) Wiring diagram and PC Board layout



## ETS

### Key Features:

- Slim size (width 5mm)
- 4kV dielectric strength between coil and contacts
- Surge voltage up to 6kV between coil and contacts
- High sensitivity: 170mW
- SPNO and SPCO contact forms



### Technical Specification

Contact Form	1A, 1C
Contact Material	AgNi, AgSnO <sub>2</sub>
Rated Load (Resistive Load)	6A 250VAC 6A 30VDC
Max. Switching Voltage	125VDC / 400VAC
Max. Switching Power	180W / 1500VA
Coil Voltage	5 to 60VDC
Nominal Operating Power	170mW (48VDC and 60 VDC: 210mW)
Dimensions (L x W x H) mm	28.0 x 5.0 x 15.0
Cross Reference	Panasonic PE Fujitsu FTR-LY Tyco V23092

### Ordering Information

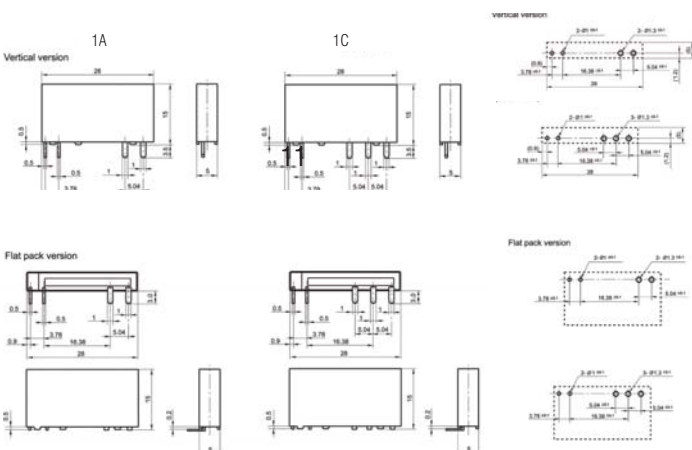
**ETS - 1A N - S L - 12VDC**

Contact Form	SPNO	<b>1A</b>	SPCO	<b>1C</b>
Contact Material	AgNi	<b>N</b>	AgNi + Au Plated	<b>N1</b>
	AgSnO <sub>2</sub>	<b>T</b>		
Coil Voltage				<b>L</b> RoHS Compliant
Sealing			<b>S</b> Sealed	
			<b>B</b> Vertical	
			<b>B</b> Flat Pack	

**Socket Selection**

SRSI	SRSC
------	------

### Outline dimensions (mm) Wiring diagram and PC Board layout



## HY

### Key Features:

- Switching capacity up to 7A
- 1.5kV dielectric strength between coil and contacts
- Various terminals, test button available
- 2 to 4 pole configurations
- Sockets available



### Technical Specification

Contact Form	2C, 3C, 4C
Contact Material	Ag Alloy
Rated Load (Resistive Load)	2C: 3C: 7A 250VAC / 30VDC 4C: 5A 250VAC / 30VDC
Max. Switching Voltage	30VDC / 250VDC
Max. Switching Power	2C, 3C: 210W/1750VA 4C: 150W/1250VA
Coil Voltage	5 to 110VDC / 6 to 240VAC
Nominal Operating Power	0.9W to 1.1W, 1.2VA to 1.8VA
Dimensions (L x W x H) mm	28.0 x 21.5 x 36.0
Cross Reference	Omron MY2/3/4 / Finder 55.32/55.33/55.34 Schneider RXM2/4 Schrack ZT

### Ordering Information

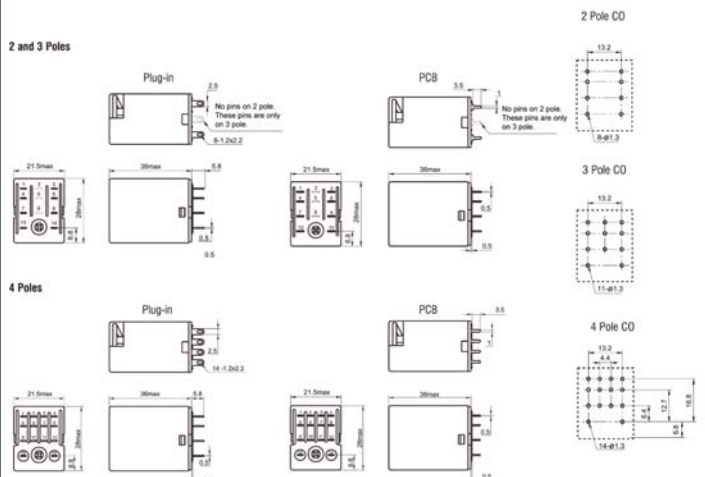
**HY 4 1 PN - 24DC**

Contact arrangement	2PCO	<b>2</b>	3PCO	<b>3</b>	4PCO	<b>4</b>
Mounting	Plug-In	<b>1</b>	PCB	<b>2</b>		
Mechanical indicator / test latch / LED					<b>PN</b>	
Mechanical indicator					<b>XN</b>	
Test latch and flag					<b>PX</b>	
No indication or test					<b>XX</b>	

**Socket Selection**

2 Pole	3 Pole	4 Pole
SRH2-0		
SRN2-D	SRN3-D	SRN4-D
SRN2-S		SRN4-S
SRN2-C	SRN3-C	SRN4-C
SRP2-0		SRP4-0

### Outline dimensions (mm) Wiring diagram and PC Board layout





## QY RS

### Key Features:

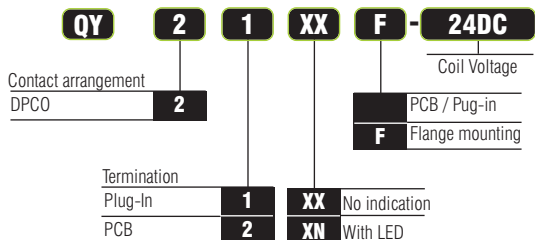
- 10A switching capability
- 1.5kV dielectric strength between coil and contacts
- Plug-in, PCB or flange mountable
- Sockets available
- Conform to the CE low voltage directive



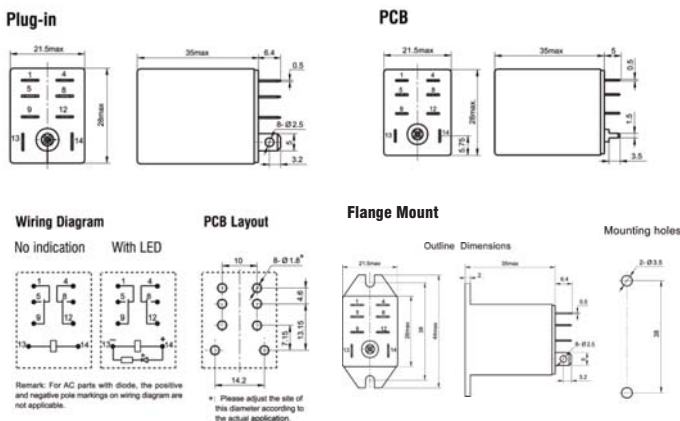
### Technical Specification

Contact Form	2C
Contact Material	AgCe
Rated Load (Resistive Load)	10A 30VDC / 250VAC
Max. Switching Voltage	30VDC / 250VAC
Max. Switching Power	300W / 2500VA
Coil Voltage	5 to 220VDC, 6 to 240VAC
Nominal Operating Power	0.9W to 1.1W, 1.2VA to 1.8VA
Dimensions (L x W x H) mm	28.0 x 21.5 x 35.0
Cross Reference	Omron LY2 / Panasonic HL Fujitsu FRL260 Schrack TM

### Ordering Information



### Outline dimensions (mm) Wiring diagram and PC Board layout



### Key Features:

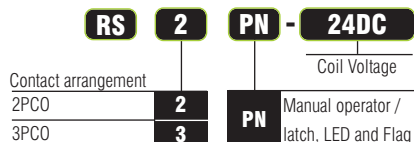
- 10A Switching capability
- Long endurance (min. 100,000 OPS)
- Industry standard 8 or 11 round terminals
- Sockets available



### Technical Specification

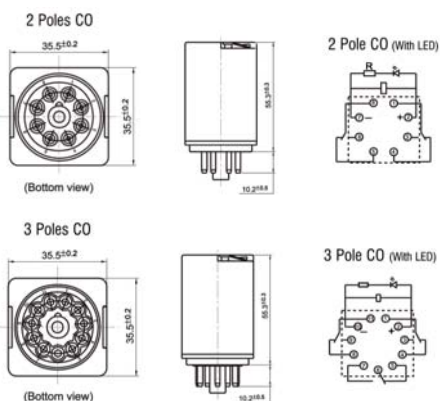
Contact Form	2C, 3C
Contact Material	AgSnO <sub>2</sub>
Rated Load (Resistive Load)	2C: 10A 250VAC / 30VDC 3C: NO: 10A 250VAC / 30VDC NC: 5A 250VAC / 30VDC
Max. Switching Voltage	30VDC / 250VAC
Max. Switching Power	300W / 2500VA
Coil Voltage	6 to 110VDC, 6 to 230VAC
Nominal Operating Power	1.5W, 2.7VA
Dimensions (L x W x H) mm	35.5 x 35.5 x 55.3
Cross Reference	Omron MK2/3 / Finder 60.12/60.13 Schneider RUM C2/CE Schrack MT

### Ordering Information



Socket Selection	
2 Pole	3 Pole
SRP8	SRP11
SRR8	SRR11
SRR8M	SRR11M

### Outline dimensions (mm) Wiring diagram and PC Board layout



## HYA

### Key Features:

- Switching capacity up to 30A
- 4kV dielectric strength between coil and contacts
- 3mm contact gap available
- Class F insulation
- Heavy load up to 8310VA



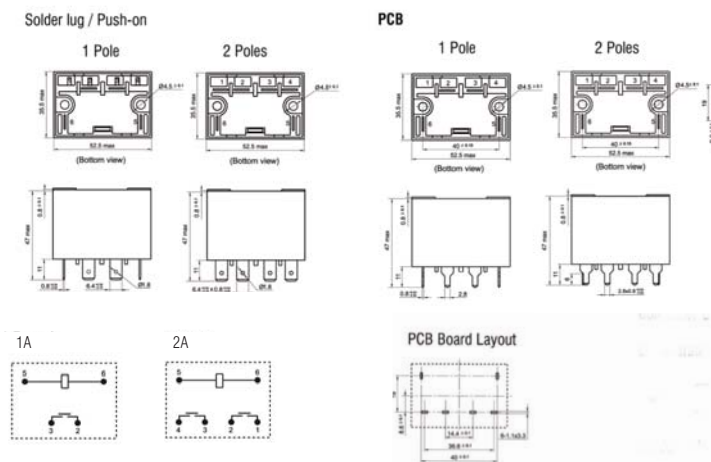
### Technical Specification

Contact Form	1A, 2A
Contact Material	AgSnO <sub>2</sub>
Rated Load (Resistive Load)	1A: 30A 250VAC/30A 277VAC 2A: 25A 250VAC/25A 277VAC
Max. Switching Voltage	277VAC
Max. Switching Power	8310VA
Coil Voltage	3 to 220VDC, 6 to 220VAC
Nominal Operating Power	1.9W, 2.7VA
Dimensions (L x W x H) mm	52.5 x 35.5 x 47.0
Cross Reference	Omron G7L Panasonic HE

### Ordering Information

<b>HY</b>	<b>1A</b>	<b>1</b>	<b>24DC</b>
		Coil Voltage	
Contact arrangement		Mounting	
SPNO	<b>1A</b>	<b>1</b>	Solder Lug/push-on
DPNO	<b>2A</b>	<b>2</b>	PCB

### Outline dimensions (mm) Wiring diagram and PC Board layout



## 8 Series

### Key Features:

- Switching capacity up to 35A
- Chassis Mount with 0.250" push-on terminals
- Insulation F class
- Heavy load up to 9000VA



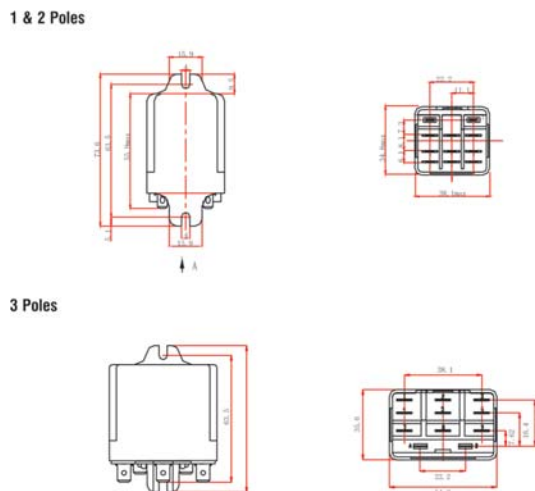
### Technical Specification

Contact Form	1A, 1C, 2A, 2C, 3A, 3C
Contact Material	Ag Alloy
Rated Load (Resistive Load)	30A 277VAC 30A 28VDC 15A 600VAC
Max. Switching Voltage	600VAC
Max. Switching Power	840W / 9000VA
Coil Voltage	6 to 220VDC, 6 to 240VAC
Nominal Operating Power	2.4 to 2.6W / 2.4 to 4.6VA
Dimensions (L x W x H) mm	35.6 x 54.2 x 73.6
Cross Reference	Songchuan 735-3

### Ordering Information

<b>8</b>	<b>31</b>	<b>Z</b>	<b>XX</b>	<b>24DC</b>
		Coil Voltage		
1 Pole	<b>31</b>			
2 Pole	<b>22</b>			
3 Pole	<b>23</b>			
		<b>XX</b>	Clear Case	
Contact Arrangement				
N/O	<b>X</b>			
C/O	<b>Z</b>			

### Outline dimensions (mm) Wiring diagram and PC Board layout



## PRW

### Key Features:

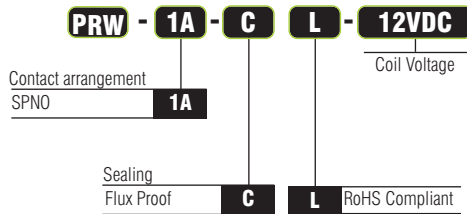
- 31A switching capability
- For photovoltaic power generation systems
- 1.5mm contact gap
- Clearance distance: contact & coil > 6.4mm
- Creepage distance > 8mm
- VDE Approved



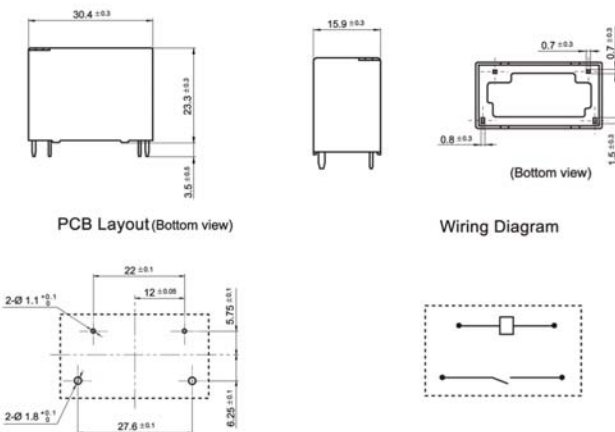
### Technical Specification

Contact Form	1A
Contact Material	AgSnO <sub>2</sub>
Rated Load (Resistive Load)	Resistive 26A 250VAC Inductive: 31A 250VAC
Max. Switching Voltage	277VAC
Max. Switching Power	7750VA
Coil Voltage	9 to 24VDC
Nominal Operating Power	1.4W
Dimensions (L x W x H) mm	30.4 x 15.9 x 23.3
Cross Reference	Omron G4F / Panasonic JM Fujitsu FTR-K3/VH Tyco PCFN

### Ordering Information



### Outline dimensions (mm) Wiring diagram and PC Board layout



## PQY

### Key Features:

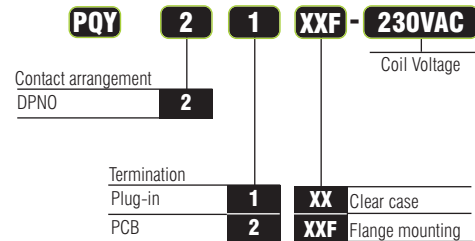
- 10A switching capability
- 1.5kV dielectric strength
- 2.0mm contact gap
- Plug-in and PCB versions available



### Technical Specification

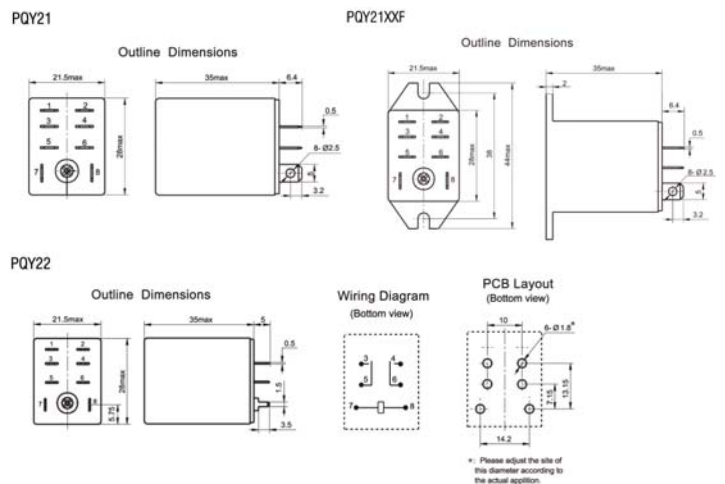
Contact Form	2A
Contact Material	AgCe
Rated Load (Resistive Load)	10A 250VAC / 30VDC
Max. Switching Voltage	30VDC / 250VAC
Max. Switching Power	30W / 2500VA
Coil Voltage	5 to 220VDC, 6 to 240VAC
Nominal Operating Power	0.9W to 1.1W, 1.2VA to 1.8VA
Dimensions (L x W x H) mm	28.0 x 21.5 x 35.0
Cross Reference	Omron LY2 Panasonic HL Fujitsu FRL260

### Ordering Information



Socket Selection	
	SRH2-C
	SRP2-0

### Outline dimensions (mm) Wiring diagram and PC Board layout



## PRR

### Key Features:

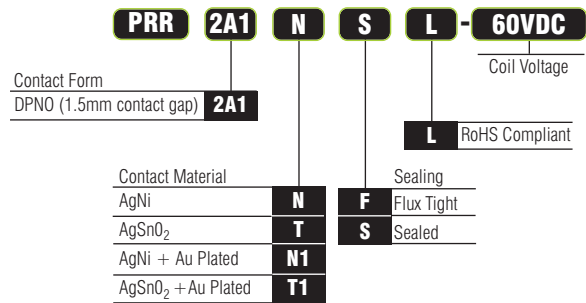
- 10A switching capability
- 5kV dielectric strength
- 1.5mm contact gap
- Sealed and Flux Tight versions available



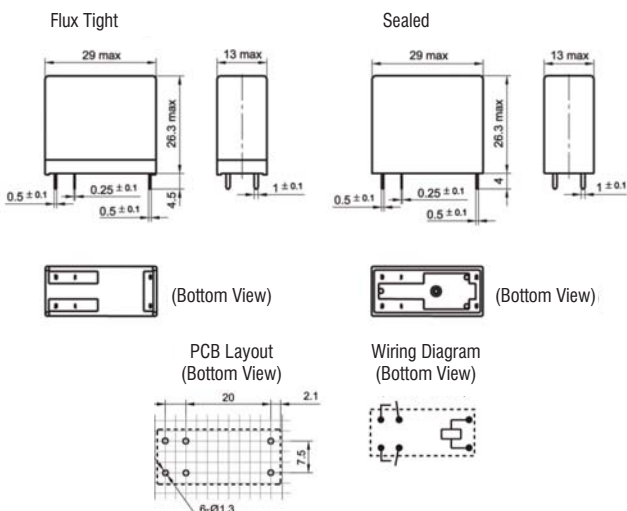
### Technical Specification

Contact Form	2A
Contact Material	AgSnO <sub>2</sub>
Rated Load (Resistive Load)	10A 250VAC / 8A 30VDC
Max. Switching Voltage	250VAC / 30VDC
Max. Switching Power	240W / 2500VA
Coil Voltage	3 to 60VDC
Nominal Operating Power	800mW
Dimensions (L x W x H) mm	29.0 x 13.0 x 26.3
Cross Reference	Omron G2RG / Panasonic JR2/JR2A Fujitsu FBR-F1/VSB Schrack RP11/2

### Ordering Information



### Outline dimensions (mm) Wiring diagram and PC Board layout



## PEY

### Key Features:

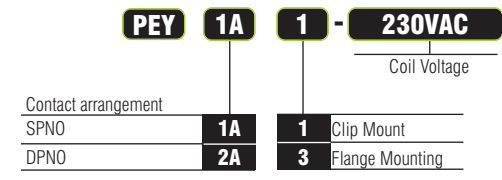
- 30A switching capability
- 4kV dielectric strength
- Class F insulation
- 3.0mm contact gap



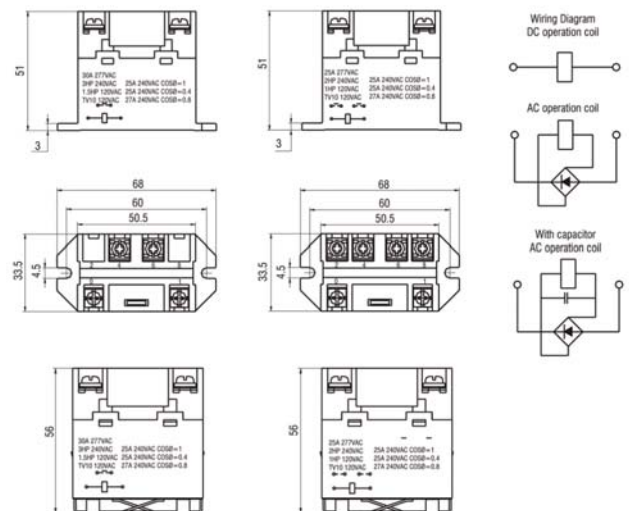
### Technical Specification

Contact Form	1A, 2A
Contact Material	AgSnO <sub>2</sub>
Rated Load (Resistive Load)	1A: 30A 240VAC/30A 277VAC 2A: 25A 240VAC/25A 277VAC
Max. Switching Voltage	277VAC
Max. Switching Power	8310VA / 6925VA
Coil Voltage	3VDC to 200VDC, 6VAC to 220VAC/240VAC
Nominal Operating Power	1.9W, 2.7VA
Dimensions (L x W x H) mm	50.5 x 34.5 x 51.0
Cross Reference	Omron G7L Panasonic HE

### Ordering Information



### Outline dimensions (mm) Wiring diagram and PC Board layout



## PHY

### Key Features:

- 30A switching capability
- 4kV dielectric strength
- Class F insulation
- 3.0mm contact gap



### Technical Specification

Contact Form	1A, 2A
Contact Material	AgSnO <sub>2</sub>
Rated Load (Resistive Load)	1A: 30A 240VAC/30A 277VAC 2A: 25A 240VAC/25A 277VAC
Max. Switching Voltage	277VAC
Max. Switching Power	8310VA / 6925VA
Coil Voltage	3 to 200VDC, 6 to 220/240VAC
Nominal Operating Power	1.9W, 2.7VA
Dimensions (L x W x H) mm	52.5 x 35.5 x 47.0
Cross Reference	Omron G7L Panasonic HE

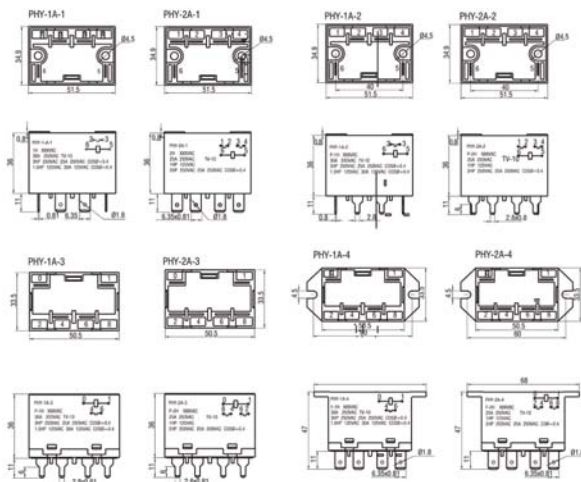
### Ordering Information

**PHY 1A 1 - 230VAC**  
Coil Voltage

Contact arrangement

SPNO	<b>1A</b>	<b>1</b>	Solder Lug / push-on
DPNO	<b>2A</b>	<b>2</b>	PCB
		<b>3</b>	PCB (alternative pin layout)
		<b>4</b>	Flange Mounting

### Outline dimensions (mm) Wiring diagram and PC Board layout



## PSY(H)

### Key Features:

- 55A to 80A switching capability (80A SPNO only)
- 3mm contact gap
- F Class insulation
- 4kV dielectric strength (between coil & contact)
- For photovoltaic power generation systems



### Technical Specification

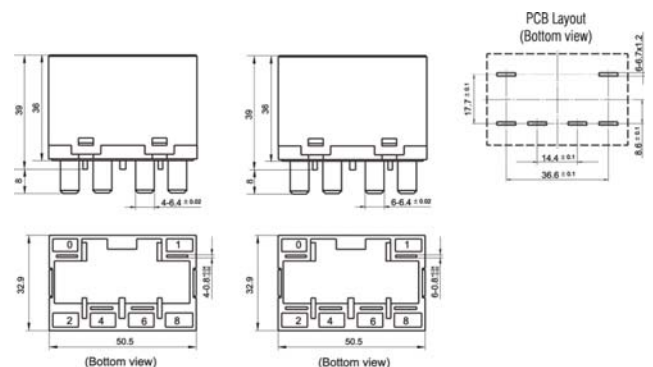
Contact Form	1A	2A
Contact Material	AgSnO <sub>2</sub>	
Rated Load (Resistive Load)	1A / 2A: 50A / 250VAC 1A (H Type): 80A / 60VDC / 250VAC	
Max. Switching Voltage	60VDC / 277VAC	
Max. Switching Power	55A (80A 1A only)	
Coil Voltage	48VDC	
Nominal Operating Power	1.9W	
Dimensions (L x W x H) mm	50.5 x 32.9 x 36.0	
Cross Reference		

### Ordering Information

**PSY [ ] 2A T F - 48VDC**  
Coil Voltage

Standard	[ ]	<b>F</b>	F Class Insulation
High Power 80A	<b>H</b>		
DPNO up to 55A	<b>2A</b>		
SPNO up to 80A (H Type)	<b>1A</b>		
	AgSnO <sub>2</sub>	<b>T</b>	

### Outline dimensions (mm) Wiring diagram and PC Board layout

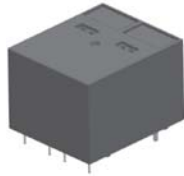


Please refer to the full technical datasheet for the outline dimensions and wiring diagrams

## DYB

### Key Features:

- High voltage direct current relay, 10A 450VDC
- 5kV Dielectric strength (between coil and contacts)
- Class F insulation
- High Temperature Plastics available GWT 850°C in accordance with IEC 60335-1
- Sockets Available



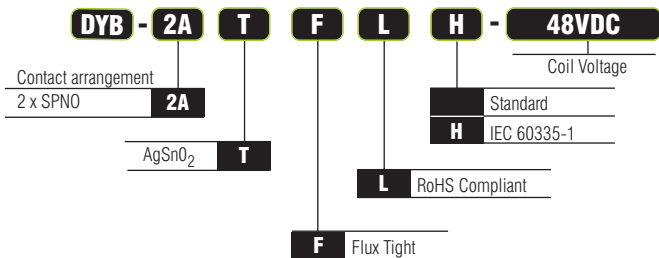
### Technical Specification

Contact Form	2A (2xSPNO)
Contact Material	AgSnO <sub>2</sub>
Rated Load (Resistive Load)	10A/450VDC

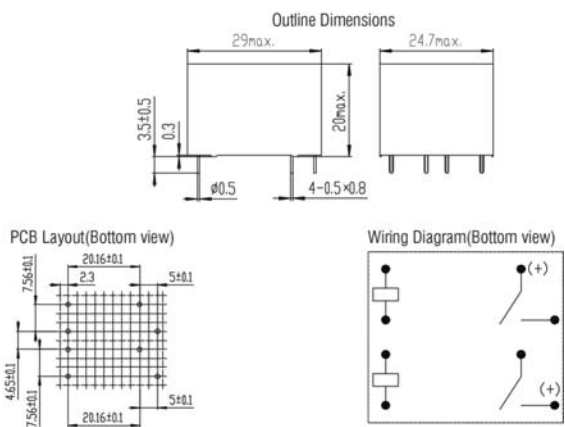
Max. Switching Voltage	450VDC
Max. Switching Power	4500W
Coil Voltage	5 to 48VDC
Nominal Operating Power	400mW / 800mW
Dimensions (L x W x H) mm	29.0 x 24.7 x 20.0

Cross Reference

### Ordering Information



### Outline dimensions (mm) Wiring diagram and PC Board layout



Please refer to the full technical datasheet for full specification and coil data

## DYA

### Key Features:

- High voltage direct current relay
- 10, 20, 40, 80, 120, 200 & 300A switching
- 10, 20 & 40A: No specific polarity requirements for the connection
- 300A: Switching power up to 750kVA
- 2.5kV dielectric strength



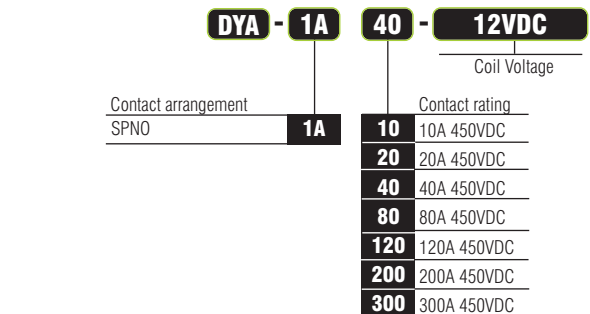
### Technical Specification

Contact Form	1A
Contact Material	Alloy
Rated Load (Resistive Load)	10A 450VDC 300A 450VDC

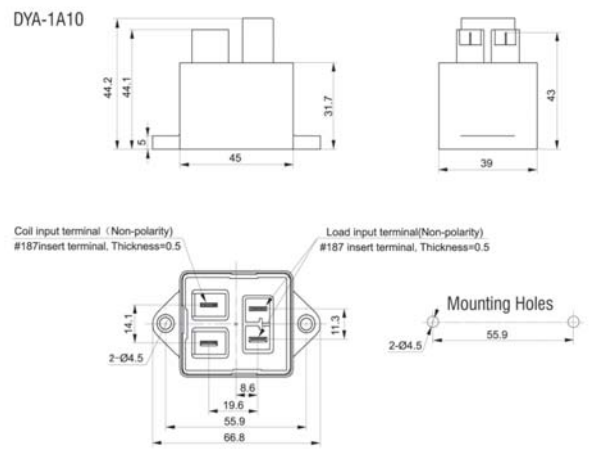
Max. Switching Voltage	450VDC
Max. Switching Power	750kW
Coil Voltage	Please refer to datasheet
Nominal Operating Power	Please refer to datasheet
Dimensions (L x W x H) mm	Please refer to datasheet

Cross Reference

### Ordering Information



### Outline dimensions (mm) Wiring diagram and PC Board layout

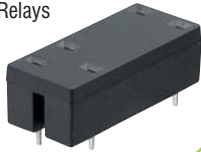


Please refer to the full technical datasheet for the outline dimensions and wiring diagrams for the DYA-1A20, DYA-1A40, DYA-1A80, DYA-1A120, DYA-1A200 & DYA-1A300

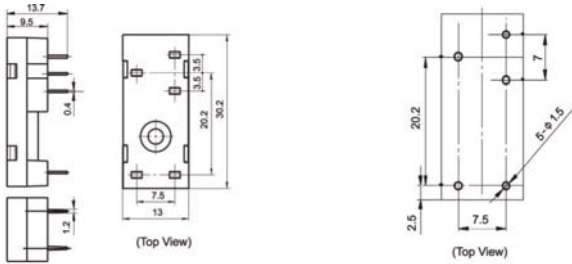
## SRS1-0, SRS2-0

### Key Features:

- Suitable for SRRHN, SRRNS, SRRT, SRP, ERR & ERP Relays
- Dielectric strength 5000VAC
- PCB mounting
- Components available: metallic retainer
- 1 Pole: SRS1, 2 Pole: SRS2



### Outline dimensions (mm) Wiring diagram



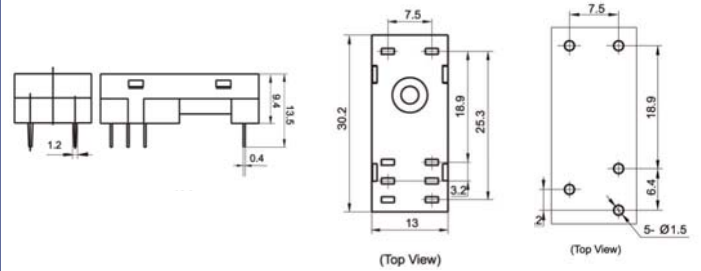
## SRS3-0, SRS4-0, SRS5-0

### Key Features:

- Suitable for EJJH, EJJHP relays
- Dielectric strength 5000VAC
- PCB mounting
- Components available: metallic retainer



### Outline dimensions (mm) Wiring diagram



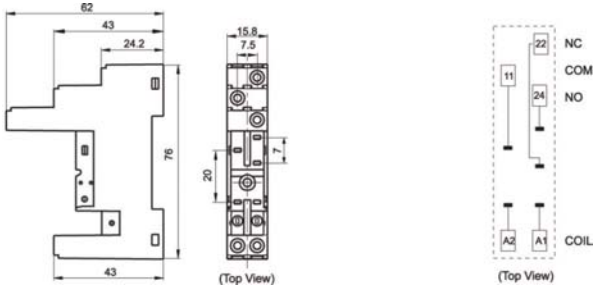
## SRN3-S

### Key Features:

- Suitable for 1 pole SRRHN, SRRNS, ERR Relays
- Dielectric strength 5000VAC
- DIN Rail mounting
- Components available: plastic retainer, Plug-in module & marker



### Outline dimensions (mm) Wiring diagram



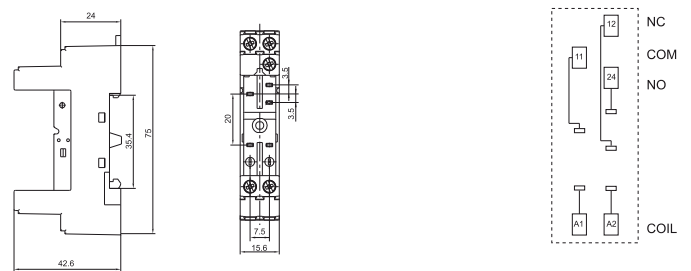
## SRN3-T

### Key Features:

- Suitable for 1 pole SRRHN relays
- Dielectric strength 5000 VAC
- DIN Rail mounting
- Components available: plastic retainer, plug-in module & marker



### Outline dimensions (mm) Wiring diagram



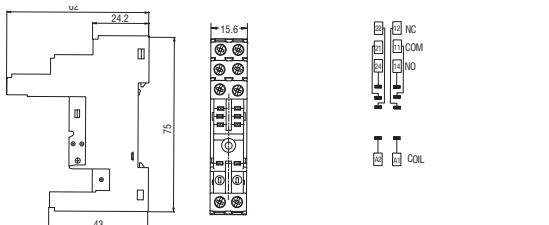
## SRN5-S

### Key Features:

- Suitable for 1 & 2 pole SRRHN, SRP, SRRNS, ERR relays
- Dielectric strength 5000 VAC
- DIN Rail mounting
- Components available: plastic retainer, plug-in module & marker



### Outline dimensions (mm) Wiring diagram



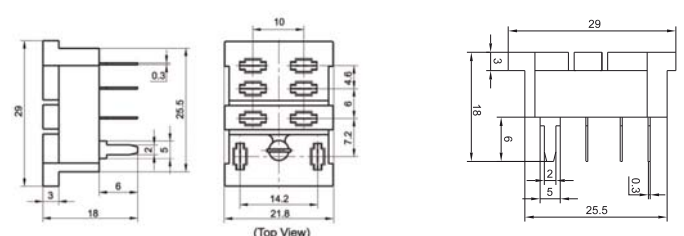
## SRP2-0

### Key Features:

- Suitable for QY relays
- Dielectric strength 2000 VAC
- PCB mounting
- Components available: metallic retainer



### Outline dimensions (mm) Wiring diagram



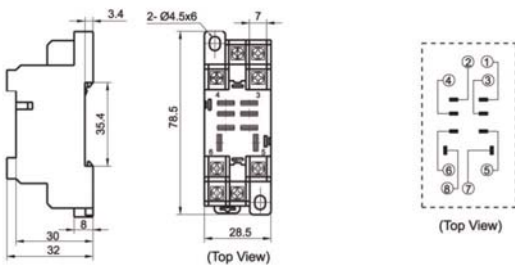
## SRH2-C

### Key Features:

- Suitable for QY relays
- Dielectric strength 2000 VAC
- DIN Rail and Screw mounting
- Components available: metallic retainer



### Outline dimensions (mm) Wiring diagram



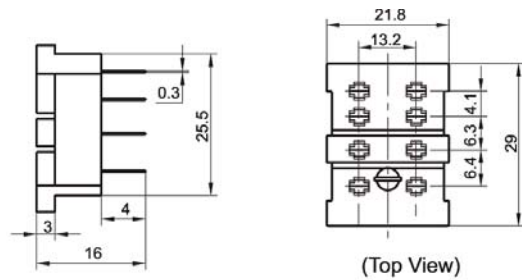
## SRH2-0

### Key Features:

- Suitable for 2 Pole HY relays
- Dielectric strength 2000 VAC
- PCB mounting
- Components available: metallic retainer



### Outline dimensions (mm) Wiring diagram



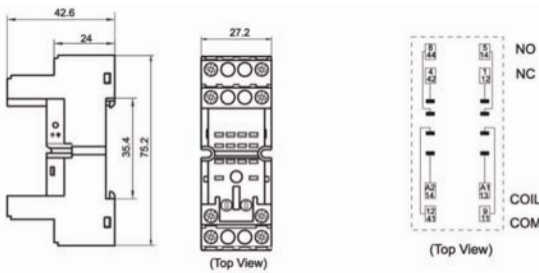
## SRN2-D

### Key Features:

- Suitable for 2 pole HY relays
- Dielectric strength 2000 VAC
- DIN Rail and Screw mounting
- Components available: plastic retainer, plug-in module & marker



### Outline dimensions (mm) Wiring diagram



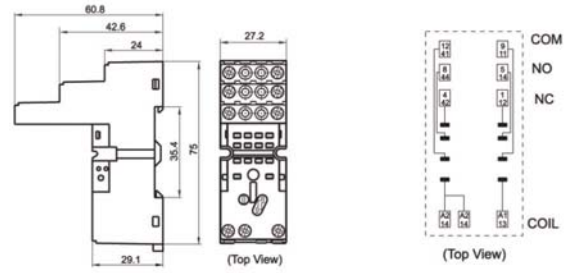
## SRN2-S

### Key Features:

- Suitable for 2 pole HY relays
- Dielectric strength 2000 VAC
- DIN Rail and Screw mounting
- Components available: plastic retainer, plug-in module & marker



### Outline dimensions (mm) Wiring diagram



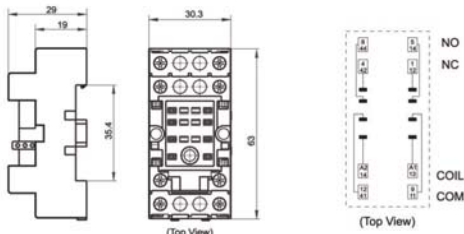
## SRN2-C

### Key Features:

- Suitable for 2 pole HY relays
- Dielectric strength 2000 VAC
- DIN Rail and Screw mounting
- Components available: metallic retainer & marker



### Outline dimensions (mm) Wiring diagram



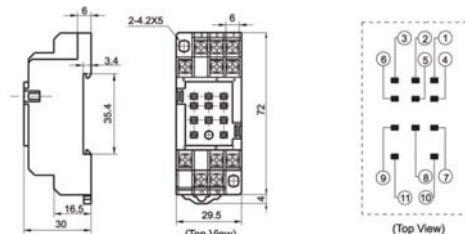
## SRN3-C

### Key Features:

- Suitable for 3 pole HY relays
- Dielectric strength 2000 VAC
- DIN Rail and Screw mounting
- Components available: metallic retainer



### Outline dimensions (mm) Wiring diagram





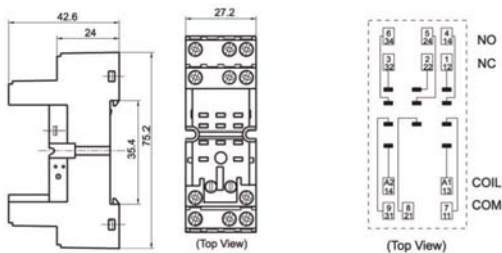
## SRN3-D

### Key Features:

- Suitable for 3 pole HY relays
- Dielectric strength 2000 VAC
- DIN Rail and Screw mounting
- Components available: plastic retainer, plug-in module & marker



### Outline dimensions (mm) Wiring diagram



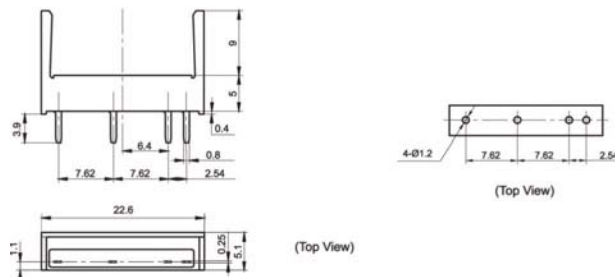
## SRTN

### Key Features:

- Suitable for 1 pole ETNA and ETPA relays
- Dielectric strength 2000 VAC
- PCB mounting



### Outline dimensions (mm) Wiring diagram



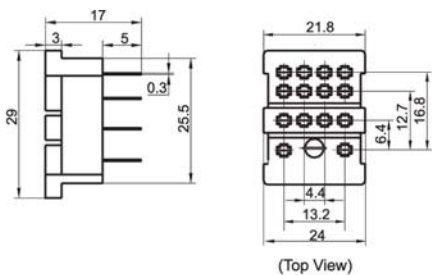
## SRP4-0

### Key Features:

- Suitable for 4 pole HY relays
- Dielectric strength 2000 VAC
- PCB mounting
- Components available: metallic retainer



### Outline dimensions (mm) Wiring diagram



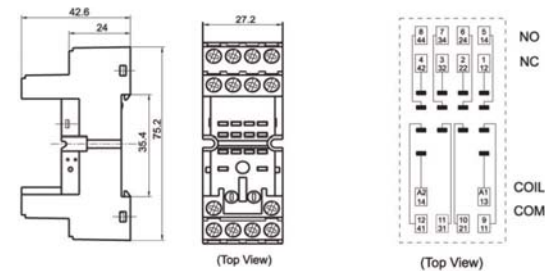
## SRN4-D

### Key Features:

- Suitable for 4 pole HY relays
- Dielectric strength 2000 VAC
- DIN Rail and Screw mounting
- Components available: plastic retainer, plug-in module & marker



### Outline dimensions (mm) Wiring diagram



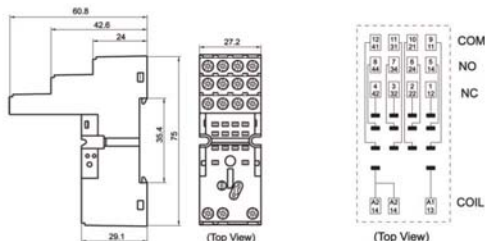
## SRN4-S

### Key Features:

- Suitable for 4 pole HY relays
- Dielectric strength 2000 VAC
- DIN Rail and Screw mounting
- Components available: plastic retainer, plug-in module & marker



### Outline dimensions (mm) Wiring diagram



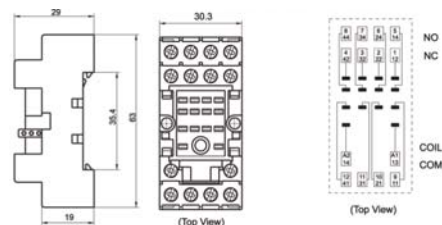
## SRN4-C

### Key Features:

- Suitable for 4 pole HY relays
- Dielectric strength 2000 VAC
- DIN Rail and Screw mounting
- Components available: metallic retainer



### Outline dimensions (mm) Wiring diagram



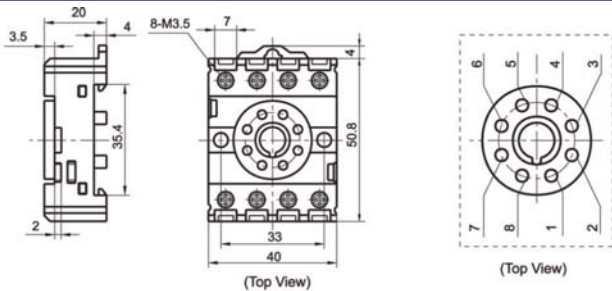
## SRP8

### Key Features:

- Suitable for 2 pole RS relays
- Dielectric strength 2000VAC
- DIN Rail and Screw mounting



### Outline dimensions (mm) Wiring diagram



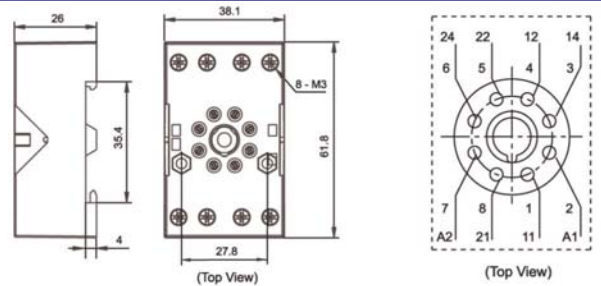
## SRR8

### Key Features:

- Suitable for 2 pole RS relays
- Dielectric strength 2000VAC
- DIN Rail and Screw mounting
- Components available: metallic retainer



### Outline dimensions (mm) Wiring diagram



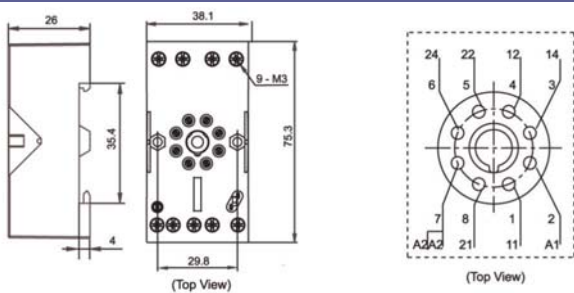
## SRR8-M

### Key Features:

- Suitable for 2 pole RS relays
- Dielectric strength 2000VAC
- DIN Rail and Screw mounting
- Components available: metallic retainer, plug-in module



### Outline dimensions (mm) Wiring diagram



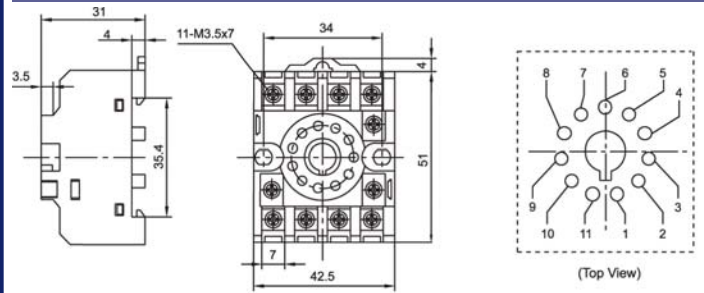
## SRP11

### Key Features:

- Suitable for 3 pole RS relays
- Dielectric strength 2000VAC
- DIN Rail and Screw mounting



### Outline dimensions (mm) Wiring diagram



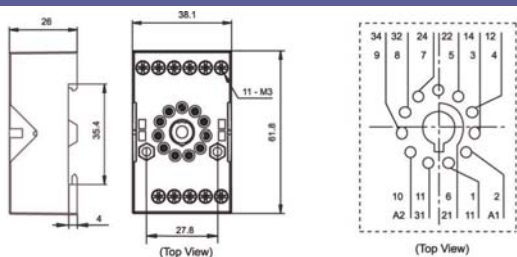
## SRR11

### Key Features:

- Suitable for 3 pole RS relays
- Dielectric strength 2000 VAC
- DIN Rail and Screw mounting
- Components available: metallic retainer



### Outline dimensions (mm) Wiring diagram



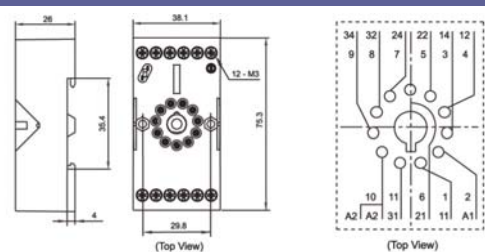
## SRR11-M

### Key Features:

- Suitable for 3 pole RS relays
- Dielectric strength 2000 VAC
- DIN Rail and Screw mounting
- Components available: metallic retainer, plug-in module



### Outline dimensions (mm) Wiring diagram



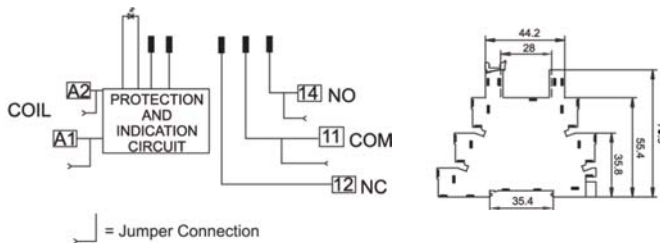
## SRSI

### Key Features:

- Suitable for ETS relays
- Dielectric strength 5000 VAC
- Insulation resistance 1000M $\Omega$
- Built-in protection indicates the power status, protects the circuit and expands the range of relay input voltage
- Components available: marker, jumper & separator
- Screw terminals



### Outline dimensions (mm) Wiring diagram



### SRSI

Product	Relay's Applicable Rated Voltage
SRSI-24AC/DC	12 to 24 VDC
SRSI-60AC/DC	48 to 60 VDC
SRSI-110AC/DC	60 VDC
SRSI-230AC/DC	60 VDC
SRSI-24DC	6 to 24 VDC

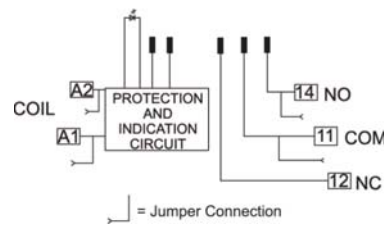
## SRSC

### Key Features:

- Suitable for ETS relays
- Dielectric strength 5000 VAC
- Insulation resistance 1000M $\Omega$
- Built-in protection indicates the power status, protects the circuit and expands the range of relay input voltage
- Components available: marker, jumper & separator
- Clamp terminals



### Outline dimensions (mm) Wiring diagram



### SRSC

Product	Relay's Applicable Rated Voltage
SRSC-24AC/DC	12 to 24 VDC
SRSC-60AC/DC	48 to 60 VDC
SRSC-110AC/DC	60 VDC
SRSC-230AC/DC	60 VDC
SRSC-24DC	6 to 24 VDC

# Also Available From Your Leading Supplier Of Choice

From a single product to a complete application solution, IMO has the product range and knowledge to meet today's most demanding application requirements.



Cam Switches	Jaguar VXG 0.37-710kW
Din Rail Terminals	Jaguar VXR 0.4-15kW
Enclosures	Jaguar CUB 0.4-4kW
Isolators & Switch Fuses	Jaguar VXH 0.75-710kW
MCB, RCCD & RCBO	Jaguar AQUA 0.75-710kW
Motor Circuit Breakers	
Motor Control Gear	Audible devices
Power Supplies	PCB Terminal blocks
Signal Conditioning	Relays - automotive
Sockets	Relays - power
Timers	Relays - signal
	Relays - Industrial
Fieldbus remote I/O	
HMI	DC Isolators
Intelligent Relays	High Isolation Relays
Limit Switches	Junction Boxes
Photoelectric Switches	Terminals
PLCs	Solar Connectors
Proximity Switches	
Safety Limit Switches	
Signal Conditioning	



## IMO Worldwide Offices

### IMO Precision Controls Limited

1000 North Circular Road  
Staples Corner  
London NW2 7JP  
United Kingdom

Tel: 020 8452 6444  
Fax: 020 8450 2274  
Email: imo@imopc.com  
Web: www.imopc.com

### IMO Jeambrun Automation SAS

Centre D'Affaires Rocroy  
30, Rue de Rocroy  
94100 Saint-Maur-Des-Fosses  
France

Tel: 0800 912 712 (n° gratuit)  
Fax: 0145 134 737  
Email: imo-fr@imopc.com  
Web: www.imojeambrun.fr

### IMO Automazione

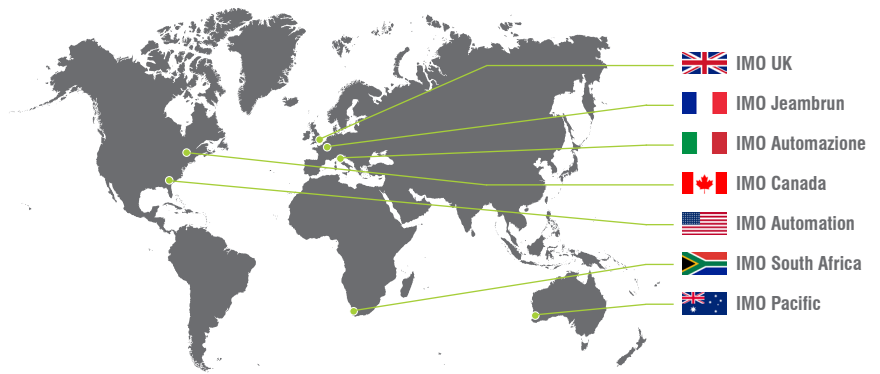
Via Ponte alle Mosse, 61  
50144 Firenze (FI)  
Italia

Tel: 800 930 872 (toll free)  
Fax: 8000 452 6445  
Email: imo-it@imopc.com  
Web: www.imopc.it

### IMO Canada

Unit 32 - B - North  
18 Stratheam Avenue, Brampton  
Ontario L6T 4Y2  
Canada

Tel: 905 799 9237 (local)  
Fax: 905 799 0450  
Email: imo-ca@imopc.com  
Web: www.imopc.com



### IMO Automation LLC

101 Colony Park Drive, Suite 300  
Cumming  
Georgia 30040  
USA

Tel: 404 476 8810  
Fax: 404 476 8811  
Email: imo-usa@imopc.com  
Web: www.imoautomation.com

### IMO South Africa (Pty) Ltd

G16 Centurion Business Park  
Montague Gardens  
Cape Town 7441  
South Africa

Tel: 021 551 1787  
Fax: 021 555 0676  
Email: info@imopc.co.za  
Web: www.imopc.co.za

### IMO Pacific Pty Ltd

1/6 Dillington Pass  
Landsdale  
Perth WA 6065  
Australia

Tel: 08 9302 5246 (local)  
Fax: 08 9303 9908  
Email: sales@imopacific.com.au  
Web: www.imopacific.com.au